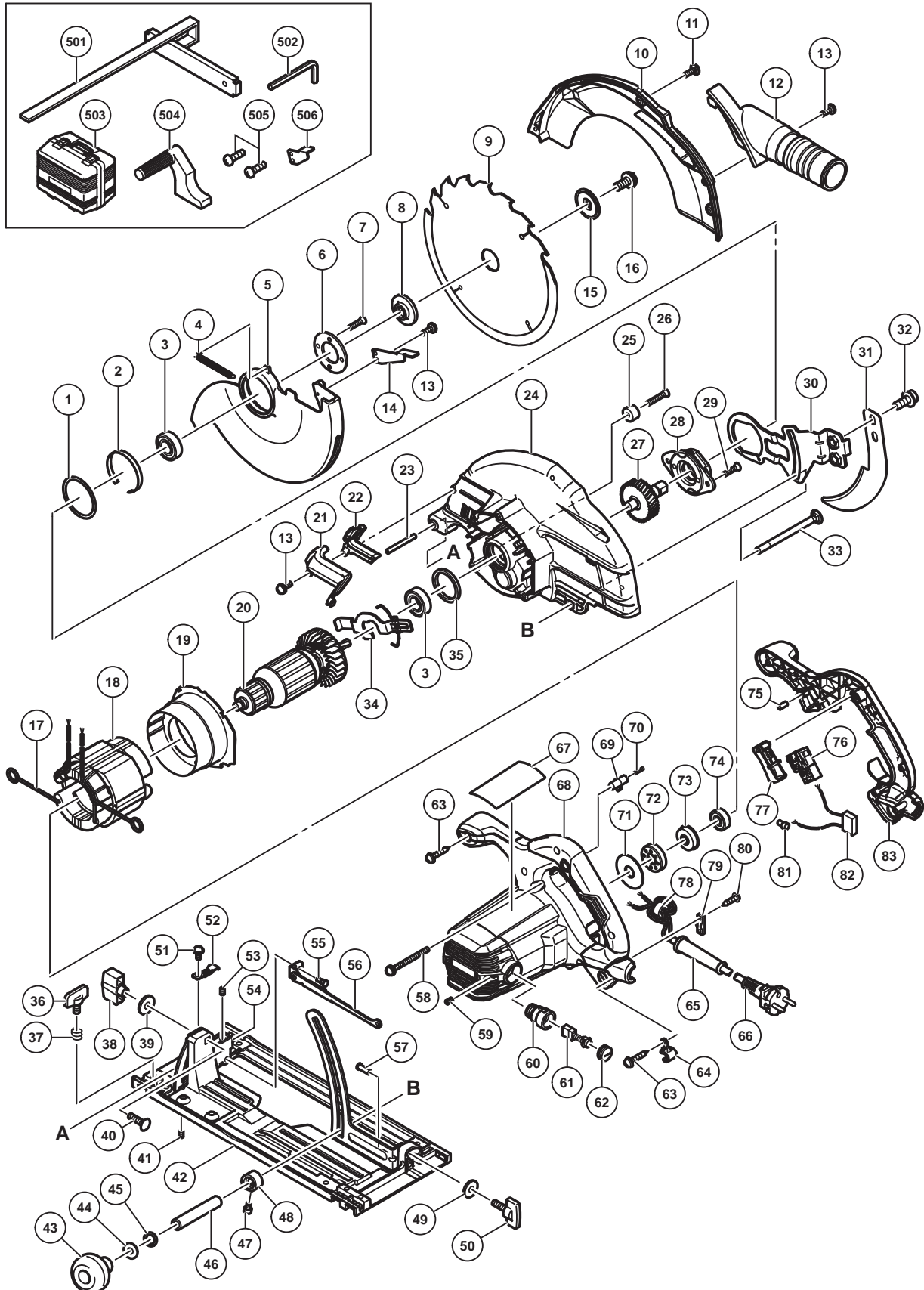


ELECTRIC TOOL PARTS LIST

CIRCULAR SAW Model C 9U3

2016-6-2
(E1)



PARTS

C 9U3

ITEM NO.	CODE NO.	DESCRIPTION	NO. USED	REMARKS
1	370540	WASHER	1	
2	998887	LINER	1	
3	6202VV	BALL BEARING 6202VVCMP2L	2	
4	370543	RETURN SPRING	1	
5	370283	LOWER GUARD	1	
6	370277	BEARING COVER	1	
7	992013	SEAL LOCK FLAT HD. SCREW M5 X 14	2	
* 8	370272	WASHER (A)	1	
* 8	370271	WASHER (A)	1	FOR CHN
* 9	303810	TCT SAW BLADE 235MM-D30 HOLE-NT20	1	
* 9	326830	TCT SAW BLADE 235MM-D25.4 HOLE-NT40	1	FOR CHN
10	370280	SAW COVER	1	
11	951039	MACHINE SCREW (W/SP. WASHER) M4 X 12	3	
12	997247	DUST COLLECTOR	1	
13	935196	MACHINE SCREW (W/WASHERS) M4 X 12 (BLACK)	3	
14	370542	LEVER	1	
15	370279	WASHER (B)	1	
16	324662	HEX. SOCKET HD. BOLT M8 X 15.5	1	
17	937623	BRUSH TERMINAL	2	
* 18	340942J	STATOR ASS'Y 110V	1	INCLUD.17
* 18	340942G	STATOR ASS'Y 220V-230V	1	INCLUD.17
19	370292	FAN GUIDE	1	
* 20	361033C	ARMATURE 110V	1	
* 20	361033E	ARMATURE 220V-230V	1	
* 21	370282	FLOW GUIDE (B)	1	
22	370281	FLOW GUIDE (A)	1	
23	949884	ROLL PIN D8 X 50 (10 PCS.)	1	
24	370544	GEAR COVER	1	
25	337080	CUSHION	1	
26	949794	FLAT HD. SCREW M6 X 20 (10 PCS.)	1	
27	370276	SPINDLE AND GEAR SET	1	
28	370275	BEARING HOLDER	1	
29	303797	SEAL LOCK FLAT HD. SCREW M6 X 14	2	
30	370297	ARM	1	
31	370298	RIVING KNIFE	1	
32	370287	HEX. SOCKET HD. BOLT M8	2	
33	370266	DIAGONAL BOLT M8	1	
34	370291	LOCK LEVER	1	
35	303792	RUBBER RING	1	
36	301806	WING BOLT M6 X 15	1	
37	947859	LOCK SPRING	1	
38	324658	WING NUT M8	1	
39	949433	BOLT WASHER M8 (10 PCS.)	1	
40	302457	BOLT (SQUARE) M8 X 30	1	
41	302469	SLOTTED HD. SET SCREW (SEAL LOCK) M6 X 6	1	
42	370294	BASE ASS'Y	1	INCLUD.57
43	324660	KNOB	1	
44	949433	BOLT WASHER M8 (10 PCS.)	1	
45	676531	O-RING (P-7)	1	
46	370267	SLEEVE (A)	1	

PARTS

C 9U3

ITEM NO.	CODE NO.	DESCRIPTION	NO. USED	REMARKS
47	370278	SEAL LOCK HEX. SOCKET HD. BOLT M4 X 6	1	
48	370268	SLEEVE (B)	1	
49	949425	WASHER M6 (10 PCS.)	1	
50	322959	WING BOLT M6 X 22	1	
51	331003	MACHINE SCREW (W/SP. WASHER) M4 (BLACK)	1	
52	324659	GUIDE PIECE	1	
53	319541	SEAL LOCK HEX. SOCKET SET SCREW M5 X 6	1	
54	308481	BEVEL PLATE	1	
55	370295	STEP PIN	1	
56	370296	PLATE	1	
57	308480	RIVET D6 X 17	1	
58	997841	MACHINE SCREW (W/WASHERS) M5 X 50 (BLACK)	3	
59	938477	HEX. SOCKET SET SCREW M5 X 8	2	
60	983362	BRUSH HOLDER	2	
61	999038	CARBON BRUSH (1 PAIR)	2	
62	961781	BRUSH CAP	2	
63	301653	TAPPING SCREW (W/FLANGE) D4 X 20 (BLACK)	6	
64	370269	CORD HOLDER	1	
65	953327	CORD ARMOR D8.8	1	
* 66	500390Z	CORD	1	(CORD ARMOR D8.8)
* 66	500440Z	CORD	1	(CORD ARMOR D8.8) FOR GBR (230V)
* 66	500517Z	CORD	1	(CORD ARMOR D8.8) FOR GBR (110V)
* 66	500235Z	CORD	1	(CORD ARMOR D8.8) FOR SAF,RUS
* 66	500455Z	CORD	1	(CORD ARMOR D8.8) FOR CHN
* 67		NAME PLATE	1	EXCEPT FOR CHN
* 68	370288	HOUSING	1	
* 68	370289	HOUSING	1	FOR SAF
* 69	370262	OFF LOCK BUTTON	1	EXCEPT FOR SAF
* 70	335465	SPRING (A)	1	EXCEPT FOR SAF
71	992926	SPRING PLATE	1	
72	370628	RUBBER BUSHING	1	
73	325355	BEARING BUSHING	1	
74	6000VV	BALL BEARING 6000VVCMP2L	1	
75	931701	BEARING LOCK	1	
76	370260	SWITCH	1	
77	370261	TRIGGER	1	
78	334379	FERRITE CORE	1	
79	937631	CORD CLIP	1	
80	984750	TAPPING SCREW (W/FLANGE) D4 X 16	2	
81	959141	CONNECTOR 50092 (10 PCS.)	1	
82	930039	NOISE SUPPRESSOR	1	
83	370290	HANDLE COVER	1	

