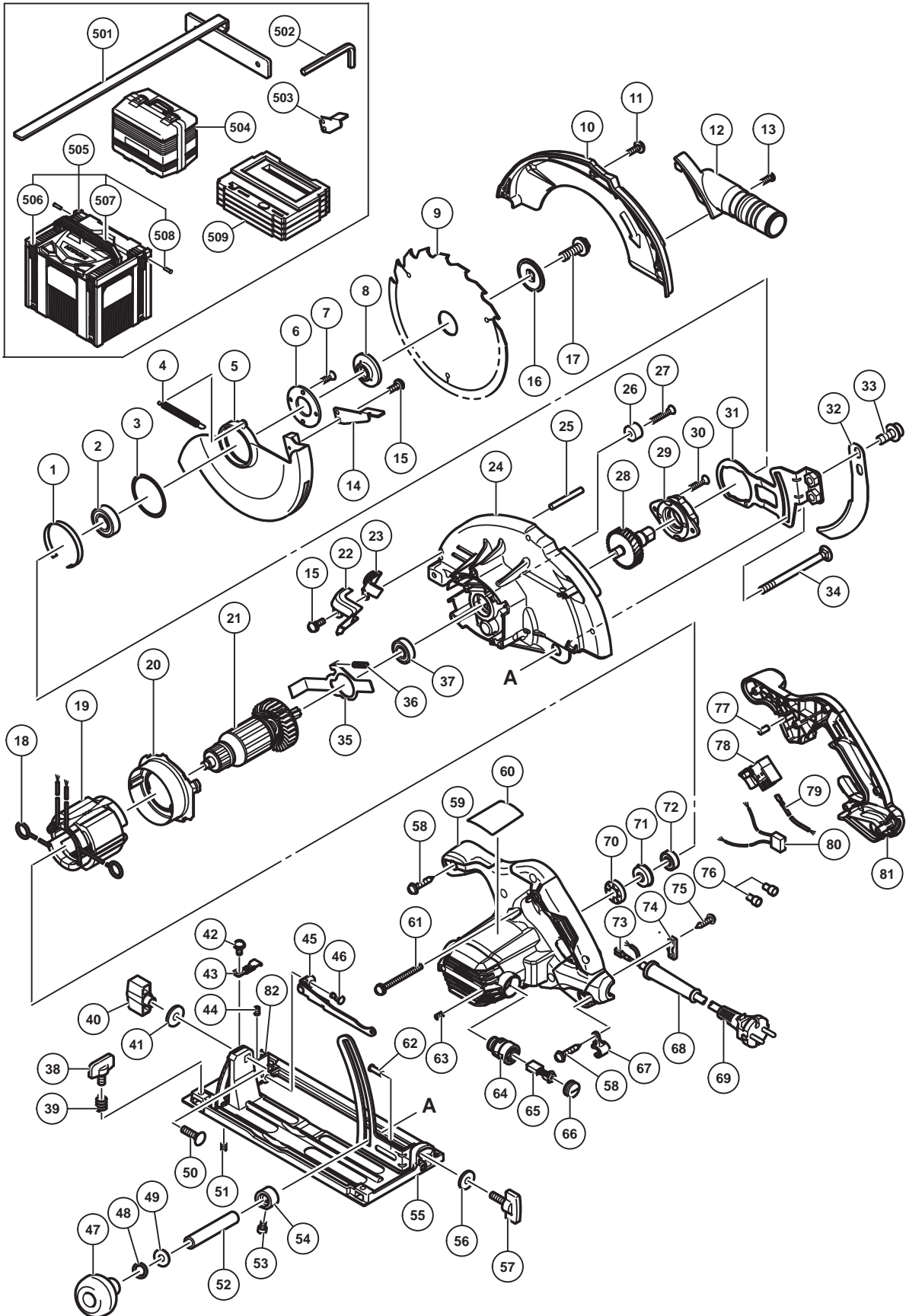


## ELECTRIC TOOL PARTS LIST

### ■ CIRCULAR SAW Model C 7U3

2016-7-20  
(E1)



## PARTS

C 7U3

ITEM NO.	CODE NO.	DESCRIPTION	NO. USED	REMARKS
1	998887	LINER	1	
2	327694	BALL BEARING 6003VVCM (NYLON RETAINER)	1	
3	370591	WASHER	1	
4	370373	RETURN SPRING	1	
5	370356	LOWER GUARD	1	
6	302435	BEARING COVER	1	
7	990430	SEAL LOCK FLAT HD. SCREW M4 X 10	2	
* 8	370272	WASHER (A)	1	
* 8	370270	WASHER (A)	1	FOR CHN
* 9	324668	TCT SAW BLADE 190MM-D30 HOLE-NT18	1	
* 9	330888	TCT SAW BLADE 190MM-D20 HOLE-NT18	1	FOR CHN
10	370354	SAW COVER	1	
11	951039	MACHINE SCREW (W/SP. WASHER) M4 X 12	3	
* 12	997247	DUST COLLECTOR	1	EXCEPT FOR CHN
* 13	935196	MACHINE SCREW (W/WASHERS) M4 X 12 (BLACK)	1	EXCEPT FOR CHN
14	370542	LEVER	1	
15	935196	MACHINE SCREW (W/WASHERS) M4 X 12 (BLACK)	2	
16	370279	WASHER (B)	1	
17	324662	HEX. SOCKET HD. BOLT M8 X 15.5	1	
18	930703	BRUSH TERMINAL	2	
* 19	340945C	STATOR ASS'Y 110V	1	INCLUD.18
* 19	340945E	STATOR ASS'Y 220V-230V	1	INCLUD.18
20	370342	FAN GUIDE	1	
* 21	361037C	ARMATURE 110V	1	
* 21	361037E	ARMATURE 220V-230V	1	
22	370344	FLOW GUIDE (B)	1	
23	370343	FLOW GUIDE (A)	1	
24	370349	GEAR COVER	1	
25	949686	ROLL PIN D6 X 40 (10 PCS.)	1	
26	961729	CUSHION	1	
27	949794	FLAT HD. SCREW M6 X 20 (10 PCS.)	1	
28	370371	SPINDLE AND GEAR SET	1	
29	370353	BEARING HOLDER	1	
30	992013	SEAL LOCK FLAT HD. SCREW M5 X 14	2	
31	370364	ARM	1	
32	370365	RIVING KNIFE	1	
33	370287	HEX. SOCKET HD. BOLT M8	2	
34	370663	DIAGONAL BOLT M8	1	
35	370363	LOCK LEVER	1	
36	330982	SPRING (A)	1	
37	6001VV	BALL BEARING 6001VV	1	
38	301806	WING BOLT M6 X 15	1	
39	947859	LOCK SPRING	1	
40	324658	WING NUT M8	1	
41	949433	BOLT WASHER M8 (10 PCS.)	1	
42	331003	MACHINE SCREW (W/SP. WASHER) M4 (BLACK)	1	
43	324659	GUIDE PIECE	1	
44	319541	SEAL LOCK HEX. SOCKET SET SCREW M5 X 6	1	
45	370368	PLATE	1	
46	370295	STEP PIN	1	



