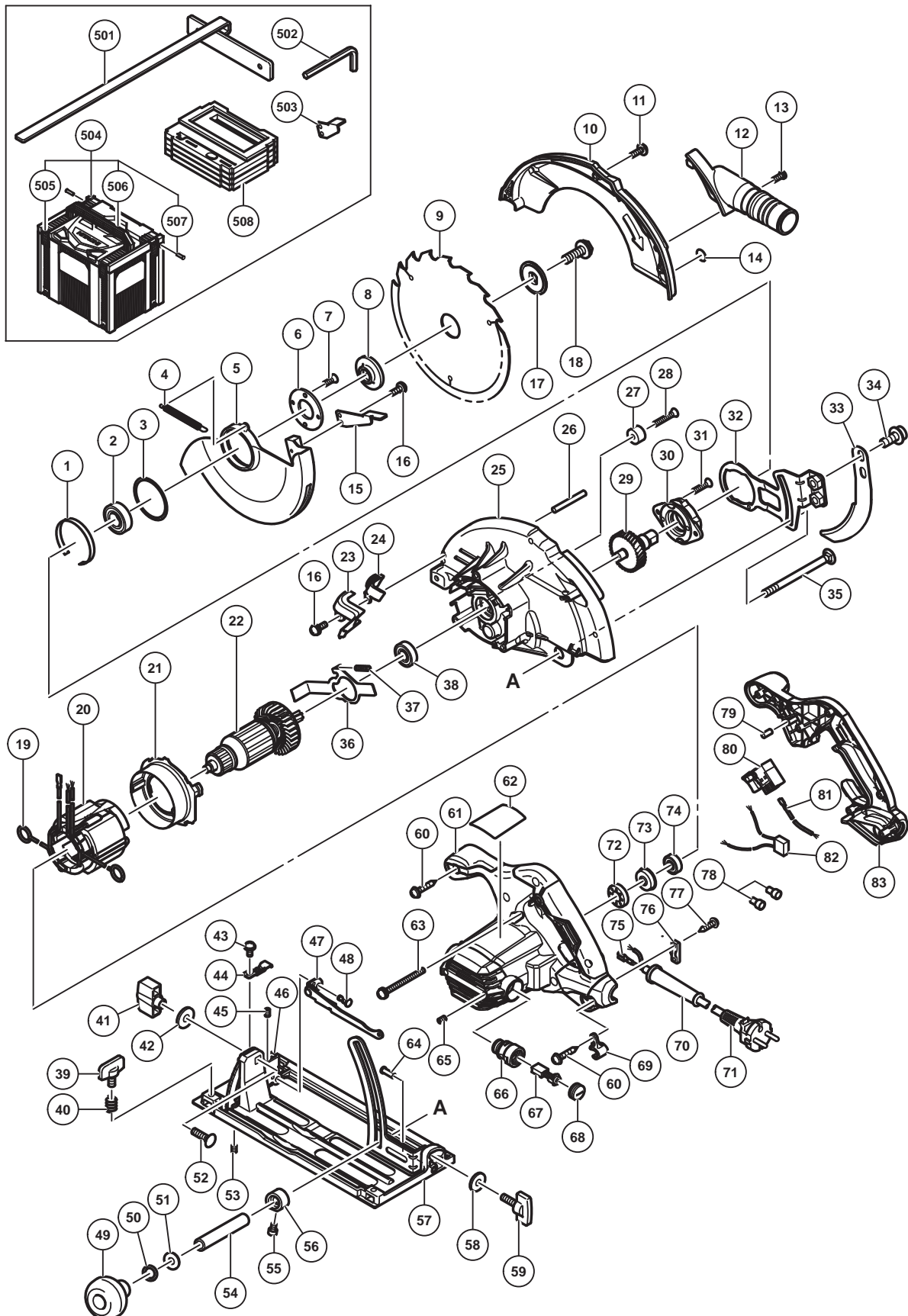


ELECTRIC TOOL PARTS LIST

CIRCULAR SAW Model C 7BU3

2016-7-20
(E1)



PARTS

C 7BU3

ITEM NO.	CODE NO.	DESCRIPTION	NO. USED	REMARKS
1	998887	LINER	1	
2	327694	BALL BEARING 6003VVCM (NYLON RETAINER)	1	
3	370591	WASHER	1	
4	370373	RETURN SPRING	1	
5	370356	LOWER GUARD	1	
6	302435	BEARING COVER	1	
7	990430	SEAL LOCK FLAT HD. SCREW M4 X 10	2	
8	370272	WASHER (A)	1	
9	324668	TCT SAW BLADE 190MM-D30 HOLE-NT18	1	
10	370354	SAW COVER	1	
11	951039	MACHINE SCREW (W/SP. WASHER) M4 X 12	3	
12	997247	DUST COLLECTOR	1	
13	935196	MACHINE SCREW (W/WASHERS) M4 X 12 (BLACK)	1	
14		NAME PLATE (BRAKE)	1	
15	370542	LEVER	1	
16	935196	MACHINE SCREW (W/WASHERS) M4 X 12 (BLACK)	2	
17	370279	WASHER (B)	1	
18	324662	HEX. SOCKET HD. BOLT M8 X 15.5	1	
19	930703	BRUSH TERMINAL	2	
* 20	340946C	STATOR ASS'Y 110V	1	INCLUD.19
* 20	340946E	STATOR ASS'Y 220V-230V	1	INCLUD.19
21	370342	FAN GUIDE	1	
* 22	361037C	ARMATURE 110V	1	
* 22	361037E	ARMATURE 220V-230V	1	
23	370344	FLOW GUIDE (B)	1	
24	370343	FLOW GUIDE (A)	1	
25	370349	GEAR COVER	1	
26	949686	ROLL PIN D6 X 40 (10 PCS.)	1	
27	961729	CUSHION	1	
28	949794	FLAT HD. SCREW M6 X 20 (10 PCS.)	1	
29	370371	SPINDLE AND GEAR SET	1	
30	370353	BEARING HOLDER	1	
31	992013	SEAL LOCK FLAT HD. SCREW M5 X 14	2	
32	370364	ARM	1	
33	370365	RIVING KNIFE	1	
34	370287	HEX. SOCKET HD. BOLT M8	2	
35	370663	DIAGONAL BOLT M8	1	
36	370363	LOCK LEVER	1	
37	330982	SPRING (A)	1	
38	6001VV	BALL BEARING 6001VV	1	
39	301806	WING BOLT M6 X 15	1	
40	947859	LOCK SPRING	1	
41	324658	WING NUT M8	1	
42	949433	BOLT WASHER M8 (10 PCS.)	1	
43	331003	MACHINE SCREW (W/SP. WASHER) M4 (BLACK)	1	
44	324659	GUIDE PIECE	1	
45	319541	SEAL LOCK HEX. SOCKET SET SCREW M5 X 6	1	
46	370367	BEVEL PLATE	1	
47	370368	PLATE	1	
48	370295	STEP PIN	1	

PARTS

C 7BU3

ITEM NO.	CODE NO.	DESCRIPTION	NO. USED	REMARKS	
49	324660	KNOB	1		
50	676531	O-RING (P-7)	1		
51	949433	BOLT WASHER M8 (10 PCS.)	1		
52	302457	BOLT (SQUARE) M8 X 30	1		
53	302469	SLOTTED HD. SET SCREW (SEAL LOCK) M6 X 6	1		
54	370267	SLEEVE (A)	1		
55	370278	SEAL LOCK HEX. SOCKET HD. BOLT M4 X 6	1		
56	370268	SLEEVE (B)	1		
57	370359	BASE ASS'Y	1	INCLUD.64	
58	949425	WASHER M6 (10 PCS.)	1		
59	302459	WING BOLT M6 X 17	1		
60	301653	TAPPING SCREW (W/FLANGE) D4 X 20 (BLACK)	6		
61	370820	HOUSING ASS'Y	1	INCLUD.65,66	
62		NAME PLATE	1		
63	997841	MACHINE SCREW (W/WASHERS) M5 X 50 (BLACK)	3		
64	308480	RIVET D6 X 17	1		
65	938477	HEX. SOCKET SET SCREW M5 X 8	2		
66	960685	BRUSH HOLDER	2		
*	67	999056	CARBON BRUSH (1 PAIR)	2	
*	67	999043	CARBON BRUSH (1 PAIR)	2	FOR GBR (110V)
68	945161	BRUSH CAP	2		
69	370269	CORD HOLDER	1		
70	953327	CORD ARMOR D8.8	1		
*	71	500390Z	CORD	1	(CORD ARMOR D8.8)
*	71	500440Z	CORD	1	(CORD ARMOR D8.8) FOR GBR (230V)
*	71	500517Z	CORD	1	(CORD ARMOR D8.8) FOR GBR (110V)
*	71	500235Z	CORD	1	(CORD ARMOR D8.8) FOR RUS
72	331006	RUBBER BUSHING	1		
73	322089	BEARING BUSHING	1		
74	333945	BALL BEARING 608VV	1		
75	331707	FASTON	1		
76	937631	CORD CLIP	1		
77	984750	TAPPING SCREW (W/FLANGE) D4 X 16	2		
78	959141	CONNECTOR 50092 (10 PCS.)	2		
79	931701	BEARING LOCK	1		
80	334474	SWITCH	1		
81	370661	INTERNAL WIRE	1		
82	930039	NOISE SUPPRESSOR	1		
83	370341	HANDLE COVER	1		

STANDARD ACCESSORIES

C 7BU3

ITEM NO.	CODE NO.	DESCRIPTION	NO. USED	REMARKS
501	370587	GUIDE	1	
502	872422	HEX. BAR WRENCH 6MM	1	
503	370264	LEVER	1	
* 504	337528	CASE ASS'Y (STACKABLE 4)	1	INCLUD.505-507 FOR EUROPE,GBR
* 505	336472	LATCH	4	FOR EUROPE,GBR
* 506	336473	HANDLE	1	FOR EUROPE,GBR
* 507	336474	HINGE	2	FOR EUROPE,GBR
* 508	370589	BOTTOM CUSHION	1	FOR EUROPE,GBR

OPTIONAL ACCESSORIES

ITEM NO.	CODE NO.	DESCRIPTION	NO. USED	REMARKS
601	331762	GUIDE RAIL ASS'Y	1	INCLUD.602-607
602	330968	GUIDE RAIL ADAPTER	1	
603	330978	GUIDE RAIL PLATE	1	
604	330979	GUIDE BAR	1	
605	330980	GUIDE BAR	1	
606	307947	WING BOLT M6 X 12	2	
607	331761	MACHINE SCREW (W/SP. WASHER) M5 X 12 (BLACK)	2	