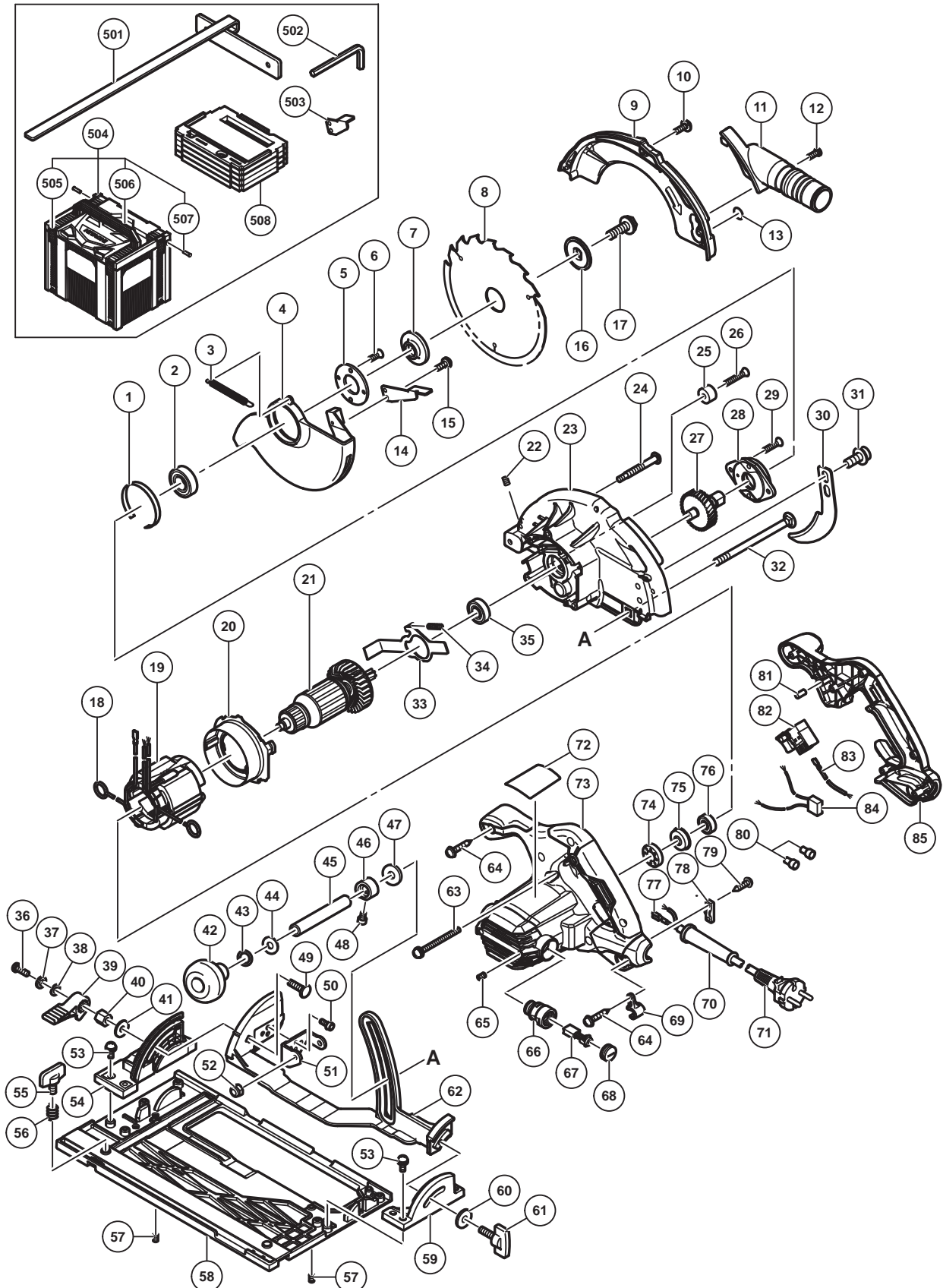


ELECTRIC TOOL PARTS LIST

CIRCULAR SAW Model C 6BUM

2016-7-20
(E1)



PARTS

C 6BUM

ITEM NO.	CODE NO.	DESCRIPTION	NO. USED	REMARKS
1	998887	LINER	1	
2	327694	BALL BEARING 6003VVCM (NYLON RETAINER)	1	
3	370374	RETURN SPRING	1	
4	370357	LOWER GUARD	1	
5	302435	BEARING COVER	1	
6	990430	SEAL LOCK FLAT HD. SCREW M4 X 10	2	
7	370272	WASHER (A)	1	
8	324678	TCT SAW BLADE 165MM-D30 HOLE-NT16	1	
9	370355	SAW COVER	1	
10	951039	MACHINE SCREW (W/SP. WASHER) M4 X 12	3	
11	997247	DUST COLLECTOR	1	
12	935196	MACHINE SCREW (W/WASHERS) M4 X 12 (BLACK)	1	
13		NAME PLATE (BRAKE)	1	
14	370542	LEVER	1	
15	935196	MACHINE SCREW (W/WASHERS) M4 X 12 (BLACK)	1	
16	370279	WASHER (B)	1	
17	324662	HEX. SOCKET HD. BOLT M8 X 15.5	1	
18	930703	BRUSH TERMINAL	2	
19	340946E	STATOR ASS'Y 220V-230V	1	INCLUD.18
20	370342	FAN GUIDE	1	
21	361037E	ARMATURE 220V-230V	1	
22	962782	HEX. SOCKET SET SCREW M5 X 6	1	
23	370352	GEAR COVER	1	
24	322096	ADJUSTING SCREW (A)	1	
25	961729	CUSHION	1	
26	949794	FLAT HD. SCREW M6 X 20 (10 PCS.)	1	
27	370372	SPINDLE AND GEAR SET	1	
28	302433	BEARING HOLDER	1	
29	992013	SEAL LOCK FLAT HD. SCREW M5 X 14	2	
30	370366	RIVING KNIFE	1	
31	370287	HEX. SOCKET HD. BOLT M8	2	
32	370662	DIAGONAL BOLT M8	1	
33	370363	LOCK LEVER	1	
34	330982	SPRING (A)	1	
35	6001VV	BALL BEARING 6001VV	1	
36	333922	MACHINE SCREW M6 X 14	1	
37	949455	SPRING WASHER M6 (10 PCS.)	1	
38	949425	WASHER M6 (10 PCS.)	1	
39	323923	LEVER (A)	1	
40	333921	LOCK NUT	1	
41	318452	WASHER (G)	1	
42	324660	KNOB	1	
43	676531	O-RING (P-7)	1	
44	949433	BOLT WASHER M8 (10 PCS.)	1	
45	370825	SLEEVE (A)	1	
46	370268	SLEEVE (B)	1	
47	370376	WASHER	1	
48	370278	SEAL LOCK HEX. SOCKET HD. BOLT M4 X 6	1	
49	370377	BOLT (SQUARE) D6	1	
50	305755	HEX. SOCKET HD. BOLT (W/FLANGE) M5 X 12	2	

PARTS

C 6BUM

ITEM NO.	CODE NO.	DESCRIPTION	NO. USED	REMARKS
51	370370	BEVEL PLATE (C)	1	
52	308387	U-NUT M5	1	
53	678653	MACHINE SCREW (W/WASHERS) M5 X 14 (BLACK)	7	
54	370347	BEVEL PLATE (A)	1	
55	301806	WING BOLT M6 X 15	1	
56	947859	LOCK SPRING	1	
57	302469	SLOTTED HD. SET SCREW (SEAL LOCK) M6 X 6	2	
58	370358	BASE	1	
59	370348	BEVEL PLATE (B)	1	
60	949425	WASHER M6 (10 PCS.)	1	
61	302459	WING BOLT M6 X 17	1	
62	370362	LINK	1	
63	997841	MACHINE SCREW (W/WASHERS) M5 X 50 (BLACK)	3	
64	301653	TAPPING SCREW (W/FLANGE) D4 X 20 (BLACK)	6	
65	938477	HEX. SOCKET SET SCREW M5 X 8	2	
66	960685	BRUSH HOLDER	2	
67	999056	CARBON BRUSH (1 PAIR)	2	
68	945161	BRUSH CAP	2	
69	370269	CORD HOLDER	1	
70	953327	CORD ARMOR D8.8	1	
71	500390Z	CORD	1	(CORD ARMOR D8.8)
72		NAME PLATE	1	
73	370820	HOUSING ASS'Y	1	INCLUD.65,66
74	331006	RUBBER BUSHING	1	
75	322089	BEARING BUSHING	1	
76	333945	BALL BEARING 608VV	1	
77	331707	FASTON	1	
78	937631	CORD CLIP	1	
79	984750	TAPPING SCREW (W/FLANGE) D4 X 16	2	
80	959141	CONNECTOR 50092 (10 PCS.)	2	
81	931701	BEARING LOCK	1	
82	334474	SWITCH	1	
83	370661	INTERNAL WIRE	1	
84	930039	NOISE SUPPRESSOR	1	
85	370341	HANDLE COVER	1	

STANDARD ACCESSORIES

C 6BUM

ITEM NO.	CODE NO.	DESCRIPTION	NO. USED	REMARKS	
501	370587	GUIDE	1		
502	872422	HEX. BAR WRENCH 6MM	1		
503	370264	LEVER	1		
504	337528	CASE ASS'Y (STACKABLE 4)	1	INCLUD.505-507	
505	336472	LATCH	4		
506	336473	HANDLE	1		
507	336474	HINGE	2		
508	370588	BOTTOM CUSHION	1		