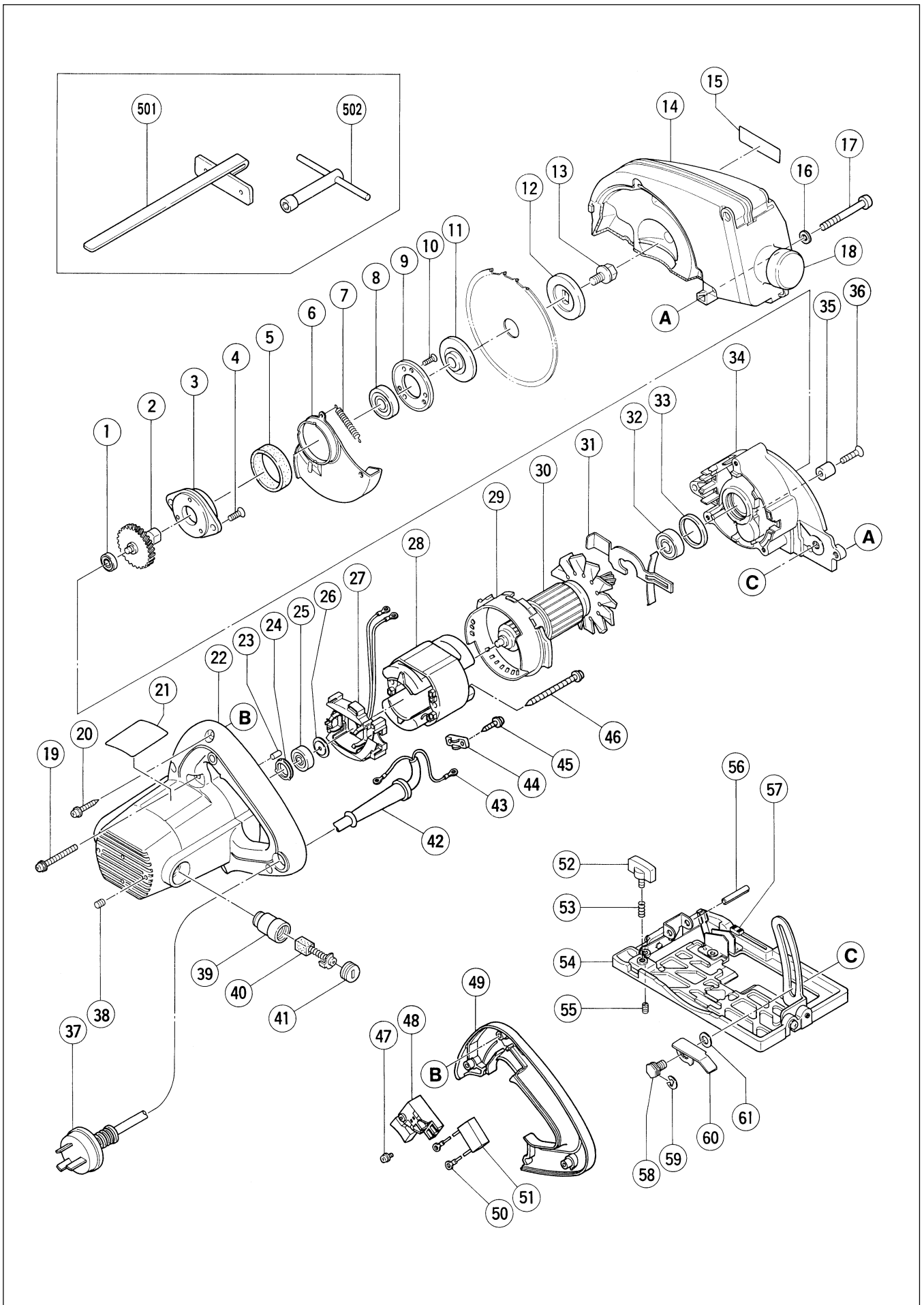


Assembly Diagram for C 5YA



PARTS

C 5YA

| ITEM NO. | CODE NO. | DESCRIPTION | NO. USED | REMARKS |
|----------|----------|---|----------|--------------|
| 1 | 626-VVM | BALL BEARING 626VVC2PS2L | 1 | |
| 2 | 318-308 | SPINDLE AND GEAR SET | 1 | |
| 3 | 307-925 | BEARING HOLDER | 1 | |
| 4 | 305-568 | SEAL LOCK FLAT HD. SCREW M5X12 | 2 | |
| 5 | 310-843 | SEAL PACKING (B) | 1 | |
| 6 | 310-640 | SAFETY COVER (A) ASS'Y | 1 | INCLUD.5 |
| 7 | 944-344 | RETURN SPRING | 1 | |
| 8 | 600-2DD | BALL BEARING 6002DDCMPS2L | 1 | |
| 9 | 310-637 | BEARING COVER | 1 | |
| 10 | 993-244 | SEAL LOCK FLAT HD. SCREW M4X12 | 3 | |
| 11 | 318-309 | WASHER (A) | 1 | |
| 12 | 318-310 | WASHER (B) | 1 | |
| 13 | 957-749 | BOLT (W/WASHER) M7X17.5 | 1 | |
| 14 | 310-642 | DUST BOX ASS'Y | 1 | INCLUD.15,18 |
| 15 | | HITACHI LABEL | 1 | |
| 16 | 995-634 | WASHER (B) D12.5 | 1 | |
| 17 | 949-788 | MACHINE SCREW M6X55 (10 PCS.) | 1 | |
| 18 | 313-568 | CAP | 1 | |
| 19 | 302-434 | MACHINE SCREW (W/WASHERS) M5X45 (BLACK) | 3 | |
| 20 | 301-653 | TAPPING SCREW (W/FLANGE) D4X20 (BLACK) | 3 | |
| 21 | | NAME PLATE | 1 | |
| 22 | 311-954 | HOUSING ASS'Y | 1 | INCLUD.38,39 |
| 23 | 931-701 | BEARING LOCK | 1 | |
| 24 | 308-058 | RUBBER WASHER | 1 | |
| 25 | 608-VVM | BALL BEARING 608VVC2PS2L | 1 | |
| 26 | 982-631 | WASHER (A) | 1 | |
| 27 | 311-958 | WIRING BLOCK | 1 | |
| 28 | 340-347E | STATOR 220V-230V | 1 | |
| 29 | 307-917 | FAN GUIDE | 1 | |
| 30 | 360-350E | ARMATURE 220V-230V | 1 | |
| 31 | 307-918 | LOCK LEVER | 1 | |
| 32 | 600-1VV | BALL BEARING 6001VVCMPMS2L | 1 | |
| 33 | 958-130 | RUBBER RING | 1 | |
| 34 | 310-636 | GEAR COVER | 1 | |
| 35 | 310-842 | CUSHION | 1 | |
| 36 | 949-793 | FLAT HD. SCREW M5X20 (10 PCS.) | 1 | |
| 37 | 500-439Z | CORD | 1 | |
| 38 | 938-477 | HEX. SOCKET SET SCREW M5X8 | 2 | |
| 39 | 957-051 | BRUSH HOLDER | 2 | |
| 40 | 999-043 | CARBON BRUSH (1 PAIR) | 2 | |
| 41 | 935-829 | BRUSH CAP | 2 | |
| 42 | 953-327 | CORD ARMOR D8.8 | 1 | |
| 43 | 980-063 | TERMINAL | 1 | |
| 44 | 937-631 | CORD CLIP | 1 | |
| 45 | 984-750 | TAPPING SCREW (W/FLANGE) D4X16 | 2 | |
| 46 | 309-467 | TAPPING SCREW (W/WASHER) D5X60 | 2 | |
| 47 | 305-499 | MACHINE SCREW (W/WASHER) M3.5X6 | 4 | |
| 48 | 302-470 | SWITCH (C) (1P SCREW TYPE) W/O LOCK | 1 | |
| 49 | 311-955 | HANDLE COVER | 1 | |
| 50 | 980-063 | TERMINAL | 2 | |
| 51 | 311-935 | NOISE SUPPRESSOR | 1 | |

STANDARD ACCESSORIES

C 5YA

| ITEM NO. | CODE NO. | DESCRIPTION | NO. USED | REMARKS |
|----------|----------|-----------------|----------|---------|
| 501 | 302-756 | GUIDE | 1 | |
| 502 | 940-543 | BOX WRENCH 10MM | 1 | |
| | | | | |
| | | | | |
| | | | | |
| | | | | |
| | | | | |
| | | | | |
| | | | | |
| | | | | |
| | | | | |
| | | | | |
| | | | | |
| | | | | |
| | | | | |
| | | | | |
| | | | | |
| | | | | |
| | | | | |
| | | | | |

OPTIONAL ACCESSORIES

| ITEM NO. | CODE NO. | DESCRIPTION | NO. USED | REMARKS |
|----------|----------|--|----------|---------|
| 601 | 313-041 | DIAMOND WHEEL (SEGMENT) 106MM-D20 HOLE | 1 | |
| 602 | 310-632 | TCT SAW BLADE (A) 125MM-D20 HOLE-NT18 | 1 | |
| | | | | |
| | | | | |
| | | | | |
| | | | | |
| | | | | |
| | | | | |
| | | | | |
| | | | | |
| | | | | |
| | | | | |
| | | | | |
| | | | | |
| | | | | |
| | | | | |
| | | | | |
| | | | | |
| | | | | |