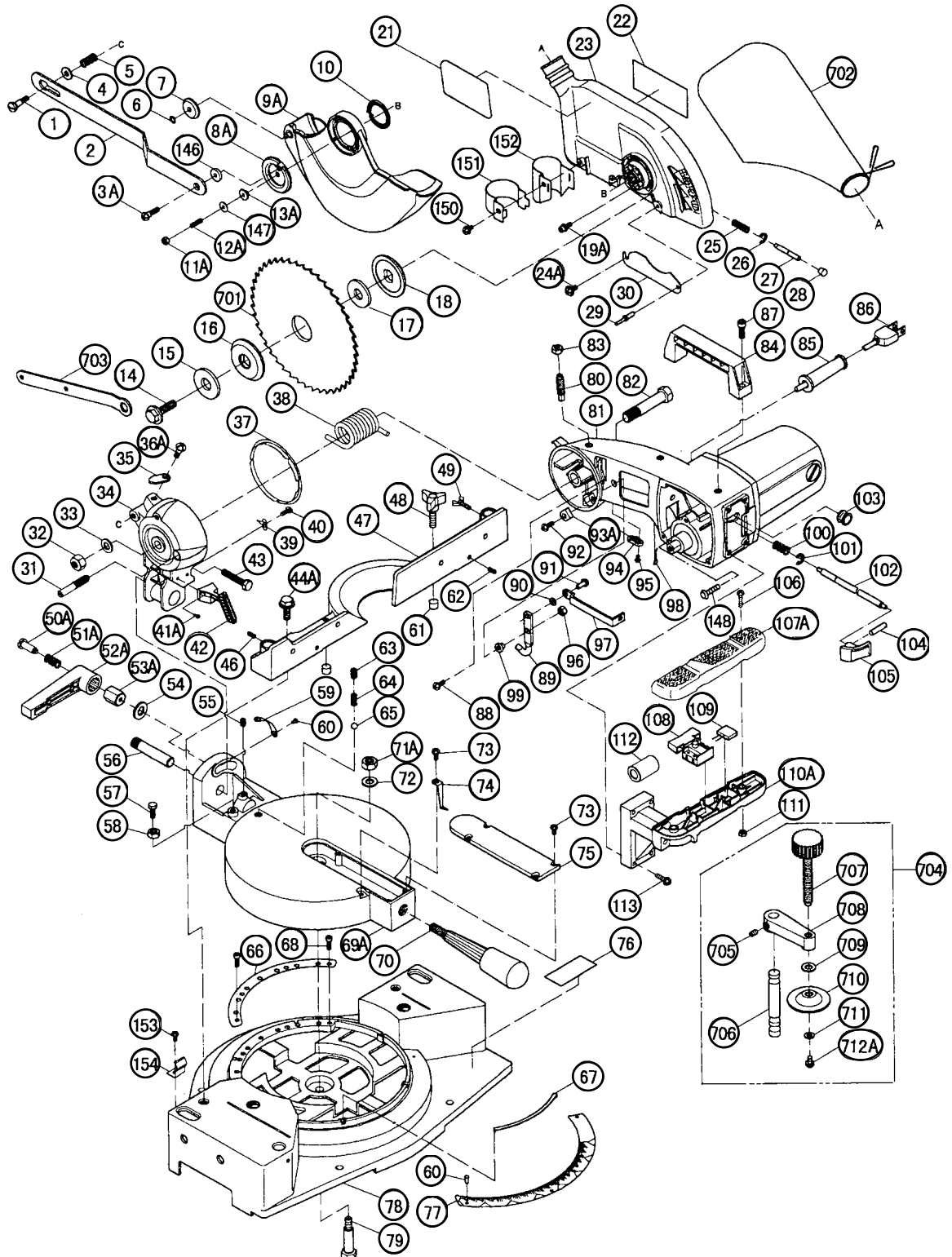


ELECTRIC TOOL PARTS LIST

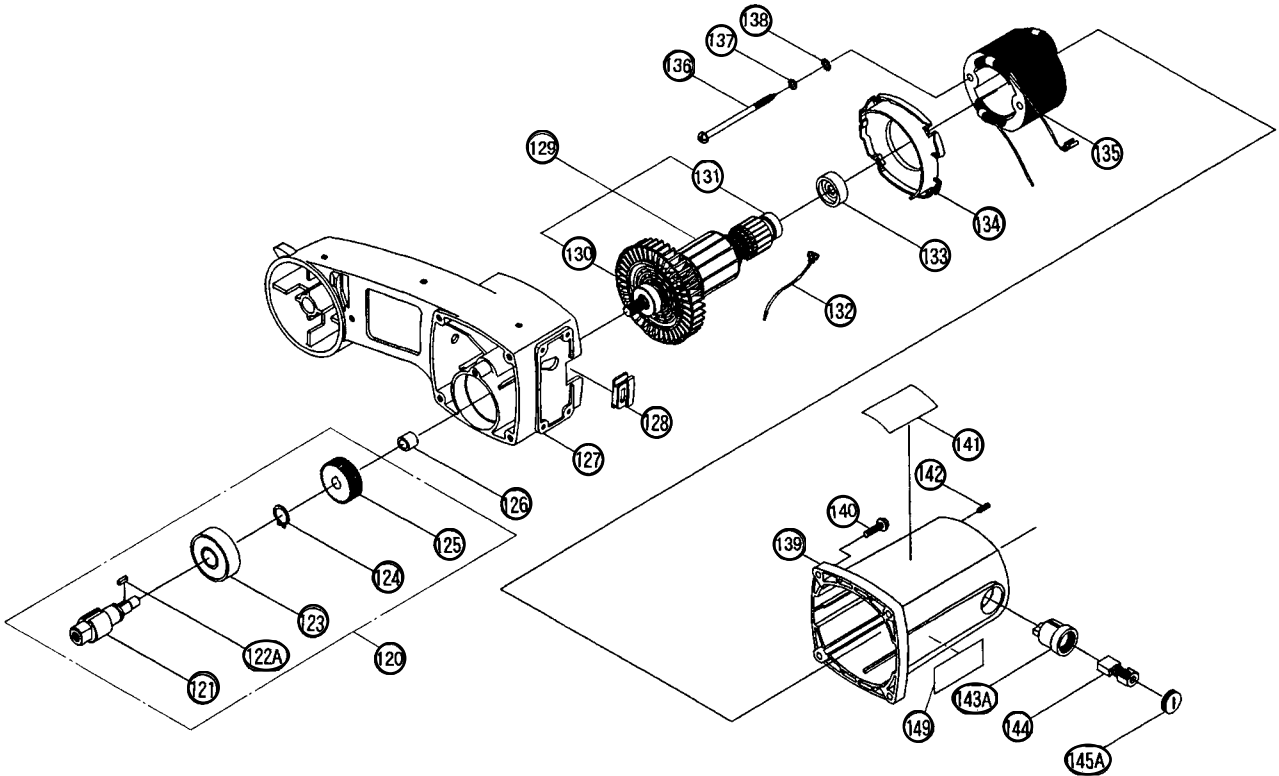
■ COMPOUND SAW
Model C 10FCA

2000・9・29
(E2)

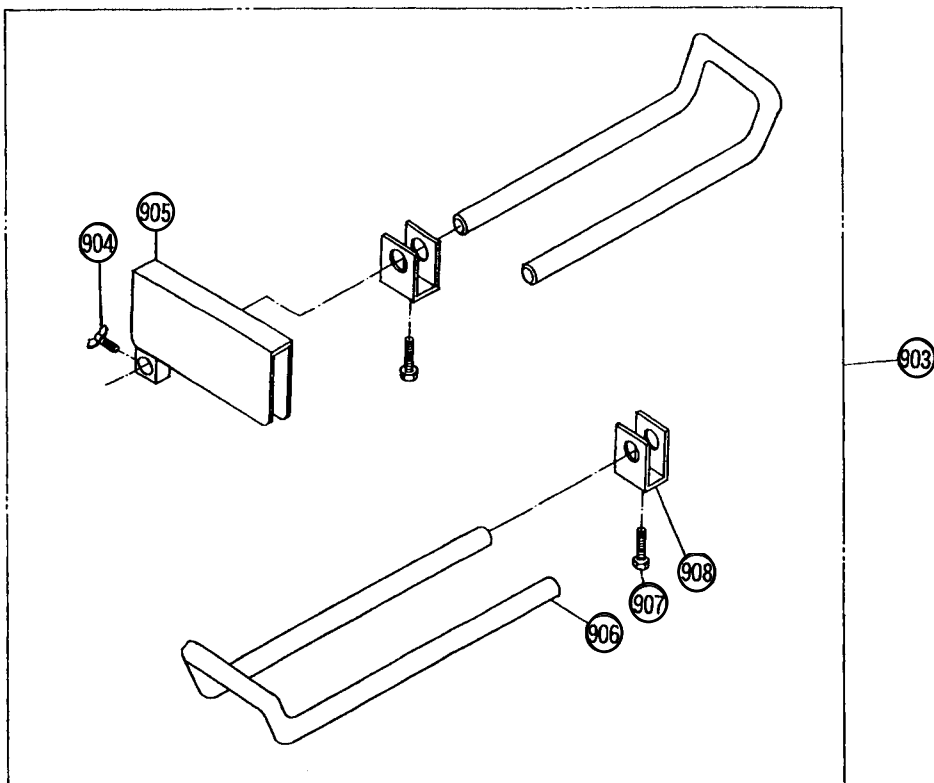




MOTOR ASS'Y



HOLDER ASS'Y



PARTS

C 10FCA

ITEM No.	CODE NO.	DESCRIPTION	NO. USED	REMARKS
1	314-978	BOLT M6X26	1	
2	314-979	LEVER	1	
3	314-980	TRUSS HD. STEP SCREW M6X12	1	TILL 10.1998
3A	317-496	TRUSS HD. STEP SCREW M6X14	1	SINCE 11.1998
4	314-981	FLAT WASHER M16	1	
5	314-982	COMPRESSION SPRING	1	
6	314-983	SELF-LOCKING RING	1	
7	314-984	ROLLING WHEEL	1	
8	314-985	GUARD RETAINER	1	TILL 10.1998
8A	317-497	GUARD RETAINER	1	SINCE 11.1998
9	314-986	PC-GUARD	1	TILL 10.1998
9A	317-498	PC-GUARD	1	SINCE 11.1998
10	314-987	SPRING GUARD	1	
11	949-237	MACHINE SCREW M5X12 (10 PCS.)	1	TILL 10.1998
11A	314-522	SPECIAL NUT CHUCK M6	1	SINCE 11.1998
12	949-454	SPRING WASHER M5 (10 PCS.)	1	TILL 10.1998
12A	317-499	SLOTTED HD. SET SCREW M6X24	1	SINCE 11.1998
13	314-988	COLLAR	1	TILL 10.1998
13A	317-500	COLLAR	1	SINCE 11.1998
14	314-348	BOLT (LEFT HAND) W/WASHER M8X20	1	
15	311-014	WASHER	1	
16	317-360	ARBOR COLLAR	1	
17	314-989	COLLAR	1	
18	317-360	ARBOR COLLAR	1	
19A	317-068	HEX. SOCKET HD. BOLT M5X20	3	
21	315-122	MODEL LABEL	1	
22		WARNING LABEL	1	
23	314-990	BLADE GUARD	1	
24A	317-501	ROUND WASHER HD. SCREW M6X8	1	
25	311-019	SPRING	1	
26	311-018	E-RING	1	
27	311-017	BRACKET STOP	1	
28	311-016	CAP RUBBER	1	
29	311-036	RIVET 3/16"X17/32"	1	
30	314-992	SHAFT GUARD	1	
31	317-877	SET BOLT	1	
32	311-063	CHUCK NUT M16	1	
33	311-064	WASHER M16X30	1	
34	311-066	ANGLE REGULATOR	1	
35	311-067	PLATE LOCK	1	
36A	317-475	CR. RE. PAN HD. ROUND NECK SCREW M6X12	1	
37	311-109	SLIDE PLATE	1	
38	311-068	TORSION SPRING	1	
39	311-061	ANGLE POINTER	1	
40	949-214	MACHINE SCREW M4X6 (10 PCS.)	1	
41A	317-376	MACHINE SCREW (W/WASHER) M5X14	2	
42	311-110	CHIP DEFLECTOR	1	
43	311-108	HEX. BOLT M10X65	1	
44A	317-069	HEX. BOLT (W/WASHER) M10X35	2	
46	971-884	HEX. SOCKET SET SCREW M5X16	2	
47	311-058	FENCE	1	

PARTS

C 10FCA

ITEM No.	CODE NO.	DESCRIPTION	NO. USED	REMARKS
48	311-059	MITER LOCK KNOB	1	
49	311-125	WING SCREW M5X20	2	
50	311-107	SCREW	1	TILL 10.1998
50A	317-362	SCREW	1	SINCE 11.1998
51	311-106	SPRING	1	TILL 10.1998
51A	317-363	COMPRESSION SPRING	1	SINCE 11.1998
52	311-054	BEVEL LOCK HANDLE	1	TILL 10.1998
52A	317-364	CLAMP LEVER	1	SINCE 11.1998
53	311-053	HANDLE COLLAR	1	TILL 10.1998
53A	317-365	HANDLE COLLAR	1	SINCE 11.1998
54	311-052	WASHER 3/8"X29/32"	1	
55	311-129	HEX. SOCKET SET SCREW M6X12	1	
56	311-065	PIVOT SHAFT	1	
57	949-616	BOLT M6X25 (10 PCS.)	2	
58	949-556	NUT M6 (10 PCS.)	2	
59	311-055	TILT BRACKET	1	
60	311-042	DRIVE SCREW D2.3X5	5	
61	311-057	BRACKET STOP	2	
62	952-384	HEX. SOCKET SET SCREW M5X10	2	
63	311-051	HEX. SOCKET SET SCREW M10X12	1	
64	311-050	SPRING	1	
65	311-049	STEEL BALL D8	1	
66	311-111	SET PLATE	1	
67	311-043	ROTATION SLIDE PLATE	3	
68	311-113	HEX. SOCKET HD. BOLT	2	
69A	317-366	TABLE	1	
70	311-044	MITER HANDLE	1	
71A	314-519	NUT CHUCK M8	1	
72	311-047	FLAT WASHER M8	1	
73	949-215	MACHINE SCREW M4X8 (10 PCS.)	5	
74	311-056	TILT POINTER	1	
75	311-046	TABLE INSERT	1	
76		CAUTION PLATE	1	
77	315-123	SCALE	1	
78	311-040	BASE	1	
79	311-039	CENTER SHAFT	1	
80	311-071	ADJUSTING SCREW M10	1	
* 81	316-524	MOTOR ASS'Y 110V	1	INCLUD.120-145
* 81	315-120	MOTOR ASS'Y 230V	1	INCLUD.120-145
82	311-094	SPECIAL BOLT	1	
83	949-560	NUT M10 (10 PCS.)	1	
84	311-095	SEGMENT HANDLE	1	
85	311-096	CORD GUARD	1	
* 86	315-004	POWER CABLE	1	
* 86	316-525	POWER CABLE	1	FOR GBR (110V)
* 86	315-750	POWER CABLE	1	FOR GBR (230V)
87	949-656	HEX. SOCKET HD. BOLT M8X20 (10 PCS.)	2	
88	302-317	MACHINE SCREW M5X16 (BLACK)	1	
89	315-006	LOCK LEVER	1	
90	949-432	BOLT WASHER M6 (10 PCS.)	1	
91	315-007	RIVET	1	

* : ALTERNATIVE PARTS

9 - 00

PARTS

C 10FCA

ITEM No.	CODE NO.	DESCRIPTION	NO. USED	REMARKS	
92	949-241	MACHINE SCREW M5X20 (10 PCS.)	1		
93	311-069	CUSHION	1	TILL 10.1998	
93A	317-502	CUSHION	1	SINCE 11.1998	
94	311-070	CORD CLAMP	1		
95	949-217	MACHINE SCREW M4X12 (10 PCS.)	2		
96	949-555	NUT M5 (10 PCS.)	1		
97	315-008	LINK BAR	1		
98	315-009	SPLIT PIN	1		
99	315-005	WASHER	1		
100	315-010	COMPRESSION SPRING	1		
101	955-479	RETAINING RING (E-TYPE) FOR D6 SHAFT	1		
102	315-011	PUSHING ROD	1		
103	311-098	STRAIN RELIEF	1		
104	315-012	SPRING PIN D4X10	1		
105	315-013	PUSHING BUTTON	1		
106	949-223	MACHINE SCREW M4X25 (10 PCS.)	2		
107A	317-506	MOTOR HANDLE COVER	1		
108	315-015	SWITCH	1		
109	315-016	NOISE SUPPRESSOR	1		
110A	315-124	MOTOR HANDLE	1		
111	949-554	NUT M4 (10 PCS.)	2		
112	315-125	FERRITE CORE	2		
113	315-017	FREE DRIVE SCREW (W/WASHER) M5X30	4		
120	311-494	SPINDLE ASS'Y	1	INCLUD.121-125	
121	311-074	SHAFT ARBOR	1		
122A	314-567	PARALLEL KEY	1		
123	630-4VV	BALL BEARING 6304VVCMAV2S	1		
124	311-076	C-RING	1		
125	311-077	GEAR	1		
126	311-078	NEEDLE BEARING NK1210	1		
127	314-995	ARM	1		
128	314-996	WIRE PROTECTOR	1		
*	129	316-526	ARMATURE ASS'Y 110V	1	INCLUD.130,131
*	129	314-997	ARMATURE ASS'Y 230V	1	INCLUD.130,131
	130	620-1VV	BALL BEARING 6201VVCMP2L	1	
	131	620-0VV	BALL BEARING 6200VVCMP2L	1	
	132	314-998	INTERNAL WIRE	1	
	133	314-577	BEARING BUSHING	1	
	134	314-999	FLOW GUIDE	1	
*	135	316-527	STATOR 110V	1	
*	135	315-000	STATOR 230V	1	
	136	940-082	MACHINE SCREW M5X60	2	
	137	949-454	SPRING WASHER M5 (10 PCS.)	2	
	138	973-879	TOOTHED LOCK WASHER M5	2	
	139	315-001	MOTOR HOUSING	1	
	140	986-274	MACHINE SCREW (W/WASHERS) M5X25	4	
	141		NAME PLATE	1	
	142	966-292	HEX. SOCKET SET SCREW M5X12	2	
	143A	314-586	BRUSH HOLDER	2	
*	144	315-003	CARBON BRUSH (1 PAIR)	2	
*	144	311-089	CARBON BRUSH (1 PAIR)	2	FOR GBR (110V)

PARTS

C 10FCA

ITEM NO.	CODE NO.	DESCRIPTION	NO. USED	REMARKS
145A	314-583	BRUSH CAP	2	
146	317-504	FLAT WASHER M6.3	1	
147	317-505	FLAT WASHER M6	1	
148	317-378	MACHINE SCREW (W/SP. WASHER) M5X12	1	
149		CAUTION PLATE	1	
150	318-144	ROUND WASHER HD. SCREW M6X10	1	
151	318-145	PLUNGER HOUSING (STEEL)	1	
152	318-146	CHIP PLATE (RUBBER)	1	
153	317-352	TAPPING SCREW D5X10	1	
154	317-353	FOLLOWER PLATE	1	

STANDARD ACCESSORIES

ITEM NO.	CODE NO.	DESCRIPTION	NO. USED	REMARKS
701	315-121	TCT SAW BLADE 255MM-D30 HOLE-NT30	1	
702	311-034	DUST BAG	1	
703	311-013	WRENCH	1	
704	311-127	WISE ASS'Y	1	INCLUD.705-712
705	967-079	HEX. SOCKET SET SCREW M6X8	1	
706	311-119	POST	1	
707	311-124	HANDLE BAR	1	
708	311-123	SUPPORT SEAT	1	
709	311-122	WASHER M10X19	1	
710	311-121	FLANGE	1	
711	311-126	WASHER 3/16" X 1/2"	1	
712A	317-503	MACHINE SCREW (W/WASHER) M5X10	1	

OPTIONAL ACCESSORIES

ITEM NO.	CODE NO.	DESCRIPTION	NO. USED	REMARKS
901	976-832	TCT SAW BLADE CROSS-CUT 255MM-D30 HOLE	1	
902	976-833	TCT SAW BLADE CROSS-CUT 255MM-D30 HOLE	1	
903	311-495	HOLDER ASS'Y	1	INCLUD.904-908
904	317-375	WING BOLT 1/4" X 3/4"	1	
905	311-115	STOCK STOP	1	
906	311-116	EXTENSION WING	2	
907	311-117	BOLT 1/4" X 5/8"	2	
908	311-118	U-BRACKET	2	