

PARTS LIST

250 mm JOBSITE TABLE SAW

MODEL NO. C10RC

PARTS LIST FOR SCHEMATIC

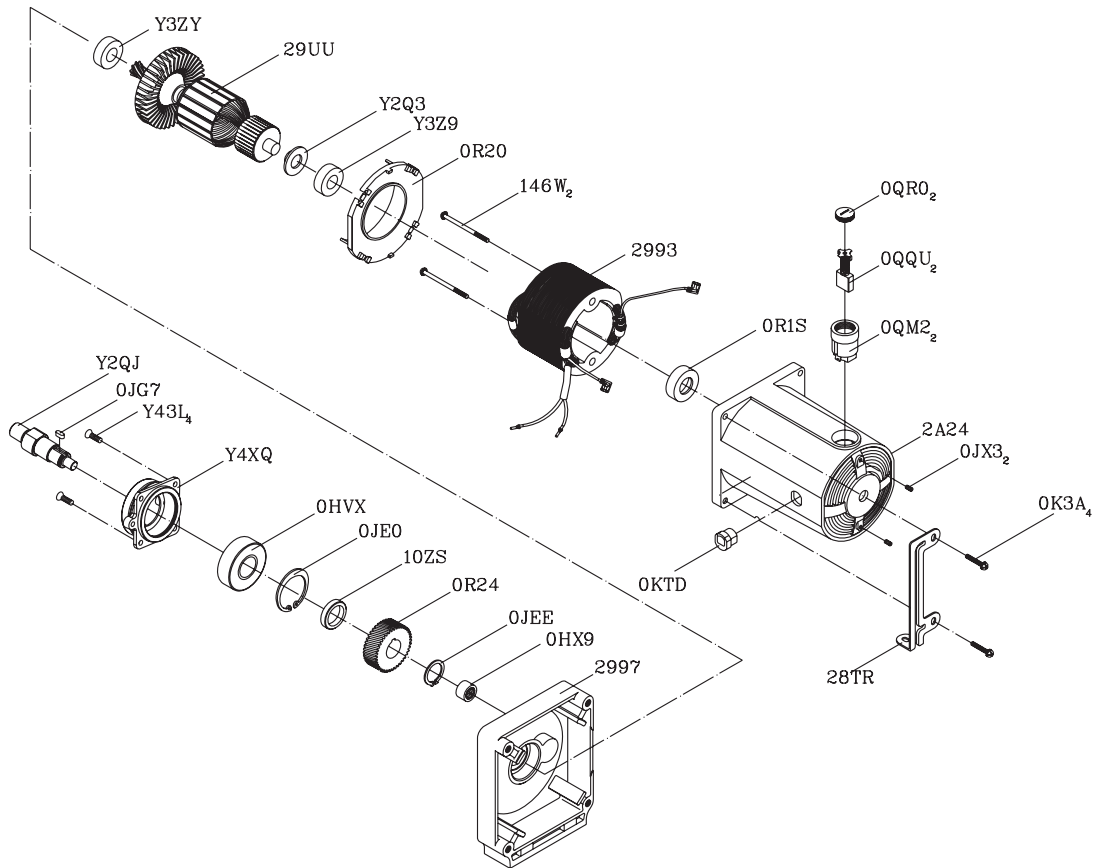
Always order by I.D. Number

Parts No.	I.D.	Description	Size	Qty	Parts No.	I.D.	Description	Size	Qty
726434	08VH	CORD CLAMP		1	326852	0M0H	CAPACITOR		1
329372	08ZJ	SAFE COVER		1	726644	0T00	SLIDING BASE ASS'Y		2
325692	090Q	PLUNGER HOUSING		1	326605	10GV	POINTER		1
726438	0B23	SADDLE		1	327914	20L1	SLOTTED PAN HD. SCREW	M6*1.0-25	2
726439	0B24	SPRING		1	726656	20LW	CR. RE. PAN HD. SCREW & WASHER	M5*0.8-16	3
326835	0B25	POINTER BRACKET		1	326853	26BN	CR. RE. PAN HD. SCREW	M6*1.0-25	1
328972	0B2A	NEEDLE POINTER		1	326943	27XL	END CAP		2
326923	0B3W	RETAINING CLIP		1	326944	28G0	TABLE		1
726446	0B99	SPACER		1	327915	28G4	DUST COLLECTOR		1
726447	0B9C	PLUNGER HOUSING		1	326947	28G5	DUST COLLECTOR JOINT		1
325696	0B9M	STRAP		6	326948	28G6	SWITCH BOX		1
726449	0B9W	BRACKET		1	326950	28G8	SPLITTER		1
326924	0B9Z	COMPRESSION SPRING		1	326951	28GC	FLOOR PLATE		1
325698	0BA1	COMPRESSION SPRING		1	326952	28GD	EXTENTION WING		1
726450	0BA4	SPACER		1	326953	28GE	ASSIST-FENCE		1
726454	0BAC	SET NUT		1	327916	28GF	COVER		1
726464	0CSE	POWER CORD CLAMP		2	327917	28GH	DUST COLLECTOR JOINT		1
328973	0HDL	DUST TUBE.		1	326955	28GL	EXTENTION WING		1
726473	0J3P	HEX. WRENCH		1	326956	28GM	LOCATION SEAT		2
726478	0J4F	FLAT WASHER	φ8*16-2.5	1	326957	28GN	UPPER TUBE		1
726479	0J4H	FLAT WASHER	φ10*30-0.2	2	326958	28GP	UPPER TUBE		1
726488	0J70	FLAT WASHER	1/4*3/4-7/64	1	326960	28GR	HEX. WRENCH		1
726489	0J72	FLAT WASHER	1/4*5/8-1/16	1	326962	28GT	WRENCH		1
726490	0J76	FLAT WASHER	1/4*3/4-1/16	4	326855	28GV	ANGLE ROD		1
726493	0J7F	FLAT WASHER	5/16*7/8-5/64	1	328418	28KY	HANDLE BAR ASS'Y		1
326927	0J7K	FLAT WASHER	3/8*29/32-5/64	1	326627	28L0	CLAMP HANDLE		1
326928	0J7V	FLAT WASHER	5/8*1 3/8-5/64	1	726799	28L9	LOCK KNOB		1
726495	0J8D	FLAT WASHER	3/8*3/4-5/64	3	328979	28XD	UPPER TUBE		2
326625	0J8K	FLAT WASHER	1/4*3/4-1/16	1	326964	28XU	ARBOR COLLAR		1
326840	0J9H	SPRING WASHER	φ1/4"	6	326965	28YW	BOLT CLAMP		2
329373	0JFB	SELF-LOCKING RING		1	326966	290W	POWER CABLE ASS'Y		1
726525	0JPE	HEX. HD. BOLT	M6*1.0-20	4	327918	291T	CAP HD. SQ. NECK BOLT	M6*1.0-12	1
726535	0JXL	HEX. SOC. SET SCREW	M10*1.5-12	1	726873	293H	PUSH BLOCK		2
325713	0JYN	HEX. SOC. COUNTERSUNK HD. SCREW	M6*1.0-25	6	328981	299L	SLIDING BASE		1
325714	0K0X	HEX. HD. SCREW AND WASHER	M6*1.0-16	2	329377	29FS	ARBOR COLLAR		1
726320	0K0Z	HEX. HD. SCREW AND WASHER	M8*1.25-16	4	328983	29MC	LEAD WIRE ASS'Y		1
726319	0K16	HEX. HD. SCREW AND WASHER	M8*1.25-16	1	328984	29MD	LEAD WIRE ASS'Y		1
726538	0K25	HEX. SOC. HD. CAP SCREW	M5*0.8-20	1	328985	29VM	LOCATION SEAT		1
726543	0K3G	CR. RE. PAN HD. SCREW & WASHER	M5*0.8-12	1	326979	2DNO	SEGMENT GEAR		1
726549	0K57	CR. RE. COUNT HD. SCREW	M5*0.8-16	4	328419	2DVB	HEIGHT REGULATING BOLT ASS'Y		1
327912	0K7E	CR. RE. ROUND WASHER HD. SCREW	M5*0.8-6	1	326980	2JWW	SPACER		1
326932	0K7H	CR. RE. ROUND WASHER HD. SCREW	M5*0.8-25	2	326981	2JWY	SPACER		2
726558	0K7L	CR. RE. ROUND WASHER HD. SCREW	M6*1.0-16	2	328986	2JY1	DUST GASKET		1
726561	0K8C	CR. RE. COUNT HD. TAPPING SCREW	M4*18-10	8	327920	2KU0	CAUTION LABEL		1
726569	0KA0	CR. RE. PAN HD. TAPPING SCREW	M5*12-20	2	327922	2KU2	TRADE-MARK LABEL		1
326452	0KA3	CR. RE. PAN HD. TAPPING SCREW	M4*16-12	1	327923	2KU3	LABEL		1
726570	0KA4	CR. RE. PAN HD. TAPPING SCREW	M4*16-16	2	327924	2KU4	CAUTION LABEL		1
326845	0KA6	CR. RE. PAN HD. TAPPING SCREW	M5*12-10	3	327925	2KU5	SCALE		1
329374	0K88	CR. RE. PAN HD. TAPPING SCREW	M4*18-20	6	327926	2KU6	SCALE		1
726575	0KCA	CR. RE. TRUSS HD. TAPPING SCREW	M5*12-12	4	328420	2L42	BLADE		1
726578	0KCY	CR. RE. PAN HD PLAIN WASHER TAPPING SCREW	M5*0.8-12	8	328987	2LD1	BRACKET GROUP ASS'Y		1
726579	0KDH	CR. RE. PAN HD. SCREW	M5*0.8-8	3	329378	2LD7	BLADE GUARD ASS'Y		1
726580	0KDJ	CR. RE. PAN HD. SCREW	M5*0.8-12	2	328988	2LE2	BODY SHELL		1
726581	0KDR	CR. RE. PAN HD. SCREW	M5*0.8-10	1	329379	2LFY	BLADE GUARD		1
326847	0KEM	CR. RE. PAN HD. SCREW	M6*1.0-40	1	329380	2LFZ	BLADE GUARD		1
726588	0KHZ	CAP HD. SQ. NECK BOLT	M6*1.0-12	2	328422	2LG9	CLAMP HANDLE		1
726590	0KJ5	CAP HD. SQ. NECK BOLT	M6*1.0-80	1	328423	2LGT	HAND WHEEL ASS'Y		1
329375	0KM2	RIVET	φ6-12	1	328424	2LGV	MITER GAUGE ASS'Y		1
726596	0KMR	HEX. NUT	M5*0.8 T=4	6	328425	2LGW	PARALLEL BRACKET ASS'Y		1
726597	0KMS	HEX. NUT	M6*1.0 T=5	1	328426	2M96	KNOB		1
726600	0KMV	HEX. NUT	M10*1.5 T=8	2	328989	2MKA	INSERT		1
726601	0KMW	HEX. NUT	M10*1.5 T=4	1	328990	2N4Z	MOTOR		1
726603	0KMY	HEX. NUT	M8*1.25 T=6.5	2	329381	2QDX	LABEL		1
726612	0KQJ	CROWN NUT	M8*1.25 T=12.5	1	329382	2QSR	BLADE GUARD ASS'Y		1
726616	0KQX	NUT	M6*1.0 T=6	1	327927	Y2Q2	GUARD-CORD		1
726620	0KRQ	SERRATED TOOTHED HEX. FLANGE NUT	M6*1.0 T=6	9	327929	Y3KK	SPLITTER BRACKET ASS'Y		1
726622	0KRX	HEX. NUT AND FLAT WASHER	M6*1.0	1	329004	Y407	FLAT WASHER	φ6*φ12-1.0t	1
326427	0KTD	STRAIN RELIEF		2	327931	Y40C	FLAT WASHER	φ5*φ16-1t	3
329376	0KTP	CABLE CLAMP		1	329005	Y41D	C-RING		1
326850	0LN4	WIRE CONNECTOR		1	329006	Y4A7	CARRIAGE BOLT	M6*1.0-40	2
326851	0LVP	FERRITE CORE		1	329008	Y6H2	PLUNGER		1
326940	0LX9	PUSH BUTTON SWITCH		1					

250 mm JOBSITE TABLE SAW
PARTS LIST FOR MOTOR

MODEL NO. C10RC

Parts no.	I.D.	Description	Size	Qty
329009	2993	FIELD ASS'Y		1
329010	2997	BRACKET		1
726469	OHVX	BALL BEARING		1
326905	OHX9	NEEDLE BEARING		1
329011	OJEO	C-RING		1
326984	OJEE	C-RING		1
329012	OJG7	PARALLEL KEY		1
326907	OJX3	HEX. SOC. SET SCREW	M5*0.8-8	2
326908	OK3A	CR. RE. PAN HD. SCREW & WASHER	M5*0.8-30	4
326427	OKTD	STRAIN RELIEF		1
326910	OQM2	BRUSH HOLDER ASS'Y		2
326458	OQQU	CARBON BRUSH ASS'Y		2
326243	OQR0	BRUSH COVER		2
326911	OR1S	BEARING BUSHING		1
326912	OR20	BAFFLE		1
326990	OR24	HELIX GEAR		1
329013	10ZS	COLLAR		1
329014	146W	CR. RE. PAN HEAD TAPPING & WASHER SCREW	M5*12-60	2
326914	28TR	RETAINING CLIP		1
329015	29UU	ARMATURE ASS'Y		1
326915	2A24	MOTOR HOUSING		1
329017	Y2Q3	BEARING COVER		1
329018	Y2QJ	CUTTER SHAFT		1
329019	Y3Z9	BALL BEARING		1
329020	Y3ZY	BALL BEARING		1
329021	Y43L	CR. RE. COUNT HD. & WAHSER SCREW	M4*0.7-12	4
329383	Y4XQ	BEARING SEAT		1



250 mm JOBSITE TABLE SAW

PARTS LIST FOR STAND

MODEL NO. C10RC

Parts No.	I.D.	Description	Size	Qty	Parts No.	I.D.	Description	Size	Qty
726357	01AD	WING NUT		1	726356	27E6	HOOK		1
726358	01AE	LEVELING PAD		1	726779	27RQ	CAP HD. SQ. NECK BOLT	M8*1.25-40	4
726477	0J4E	FLAT WASHER	φ6*13-1	6	726780	27RR	CR. RE. TRUSS HD. SCREW	M6*1.0-46	4
726482	0J4W	FLAT WASHER	φ8.2*18-1.5	4	726783	288R	HEX. HD. BOLT	M8*1.25-55	4
726503	0JAZ	WAVE WASHER		2	726784	28BU	FLOOR PLATE		1
726554	0K7D	CR. RE. ROUND WASHER HD. SCREW	M6*1.0-10	2	726785	28BX	CR. RE. PAN HD PLAIN WASHER TAPPING SCREW	M5*0.8-10	4
726559	0K7M	CR. RE. ROUND WASHER HD. SCREW	M6*1.0-18	1	726797	28L2	CLAMP HANDLE		4
329023	0KDG	CR. RE. PAN HD. SCREW	M5*0.8-6	4	726798	28L3	FOLLOWER PLATE		1
726594	0KKU	CR. RE. PAN HD. ROUND NECK SCREW	M5*08-10	1	327000	29QJ	DUST COLLECTOR ASS'Y		1
329384	0KLQ	BLIND RIVET		4	329025	2PKB	BRACKET ASS'Y (RIGHT)		1
726597	0KMS	HEX. NUT	M6*1.0 T=5	1	329385	2PKE	FOLLOWER PLATE		2
329024	0KQB	WING NUT	M8*1.25	2	329026	2PKF	BRACKET ASS'Y (LEFT)		1
726615	0KQW	LOCK NUT	M5*0.8 T=5	1	329027	2PKH	FOOT PAD		3
726616	0KQX	NUT	M6*1.0 T=6	4	329028	2PKK	SUPPORT LEG (LEFT)		1
726617	0KQY	LOCK NUT	M8*1.25 T=8	6	329029	2PKQ	SUPPORT LEG (RIGHT)		1
726665	213T	ROLLING WHEEL		2	329030	2PKS	LEVELING PAD		2
726673	22FZ	CAP HD. SQ. NECK BOLT	M8*1.25-45	2	329031	2PKU	LOCK KNOB		2
726765	27DL	HANDLE		1	329386	2Q4S	CAUTION LABEL		1

