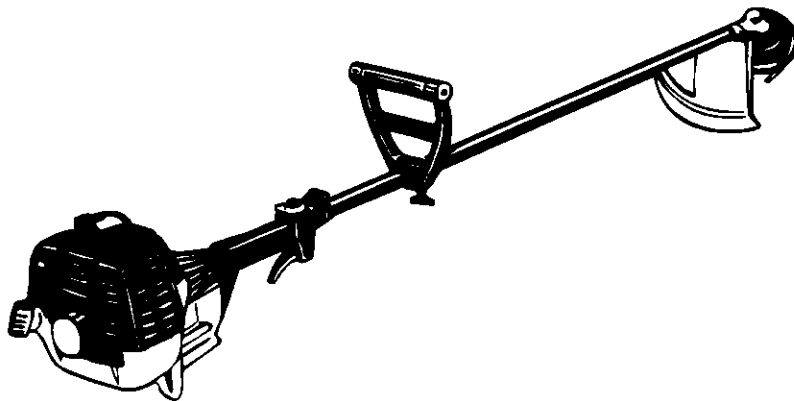


Tanaka

Parts Catalog



Brush Cutter

Model: AST-7000

Part # 10480 05-21-98

Grass Trimmer Attachments

TPS-200

Pruning Saw Attachment

The versatile TPS-200 Pruning Saw attachment easily converts Tanaka straight shaft grass trimmers / brushcutters into a powerful pruning saw.



TPS-200 Features:

- 24" Shaft Provides a 98" Overall Length when mounted
- 10" Oregon® Bar & Chain
- Easy-Mount Coupler

To be used with the following Tanaka models:

- AST-7000 / 7000S / 210
- TBC-4500 / 4501 / 2211
- TBC-220 / 240
- TBC-250 / 2501 / 2510 / 265
- TBC-270PF/PN



TPS-EXT Pruning Saw **Extension** (Part # 748511) Add an **extra two feet of reach** with this pruning saw extension that will fit on both the TPS-2510 and TPS-270PN Pruning Saws. In addition, it can be added to Tanaka straight shaft grass trimmers that utilize the TPS-200 Pole Saw Attachment.

TPH-200

Pole Hedge Trimmer Attachment

For added reach and maneuverability, the TPH-200 Pole Hedge Trimmer attachment can be added to several Tanaka straight shaft grass trimmers / brushcutters.



TPH-200 Features:

- 22" Double Sided Cutting Blades
- Articulating / Pivoting Cutting Angle up to 130 degrees.

To be used with the following Tanaka models:

- AST-7000 / 7000S / 210
- TBC-4500 / 4501 / 2211
- TBC-220 / 240
- TBC-250 / 2501 / 2510 / 265
- TBC-270PF/PN

TMC-200

Mini-Cultivator

This simple, easy to install attachment is ideal for quick garden / flower bed weeding and cultivation. For maximum depth, the TMC-200 can dig up to 4 inches into the ground and 6" wide.

With a 49:1 reduction ratio, this heavy duty gear box gives you more tilling power.



To be used with the following Tanaka models:

- AST-7000 / 7000S / 210
- TBC-4500 / 4501 / 2211
- TBC-220 / 240
- TBC-250 / 2501 / 2510 / 265
- TBC-270PF/PN
- TBC-300 / 3010
- TBC-420PF

All data and specifications are subject to change without notice
For more information, contact:

AST-7000

OPTIONS AND ACCESSORIES

NYLON LINE



- 746156 .095, Box, 50 ft.
- 746157 .105, Box, 50 ft.
- 746160 .095, 1/2 lb. Box, 143 ft.
- 746161 .105, 1/2 lb. Box, 110 ft.
- 746165 .095, 1 lb. Box, 285 ft.
- 746166 .105, 1 lb. Box, 235 ft.
- 746169 .095, 3 lb. spool, 855 ft.
- 746170 .105, 3 lb. spool, 705 ft.
- 746173 .095, 5 lb. spool, 1425 ft.
- 746174 .105, 5 lb. spool, 1175 ft.

SEMI-AUTO HEAD



746153 PNH-180

Parts List

ET-1201	Body
ET-1206	Cap
ET-1225	Adapter
ET-1205	Spool
ET-1207	Eyelet
ET-1208	Spring
ET-1209	Bump Disk

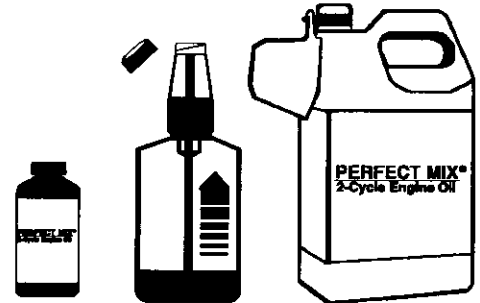
ALUMINUM MANUAL HEAD



PCH-100
(746180)

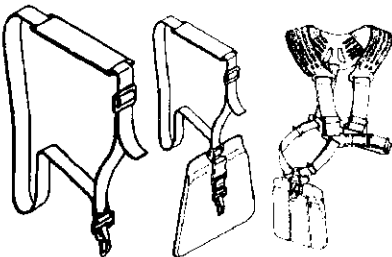
PCH-300
(746190)

PERFECT MIX® 2-Cycle Engine Oil



- 700109 2.8 oz. Bottle, 1 Gallon Size (24*)
 - 700108 16 oz. Self-measuring Bottle (24*)
 - 700110 1 Gallon Jug Commercial Size (6*)
- * Case Quantity

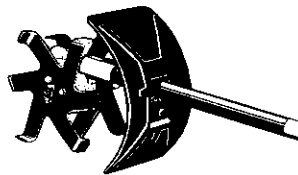
SHOULDER STRAPS



PSS-175 SS-250* SS-400*

* Requires 355-37302-900

TMC-200 CULTIVATOR



BLADES

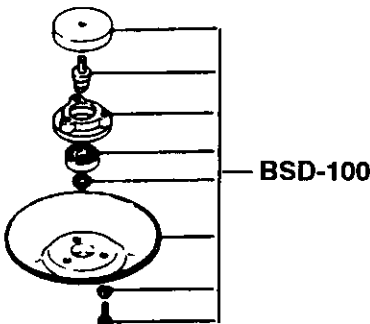


- 746101 Weed Blade, 9"X4T
- 746103 Weed Blade, 9"X48T
- 746104 Saw Blade, 9"X80T
- 746192 Carbide Blade, 9"X36T

MANUALS

10530	Owner's Manual
10480	Parts Catalog
18736	Shop Manual

BLADE SAFETY DISK



SPECIAL TOOLS

009-29323-500	Piston Pin Remover	001-29000-000	Tachometer
015-29338-000	Gear Shaft Remove	070-2000W-500	Pressure Tester
016-29338-000	Pinion Remover	070-2000W-501	Carb. Tool Kit
037-29376-000	Clutch Remover		

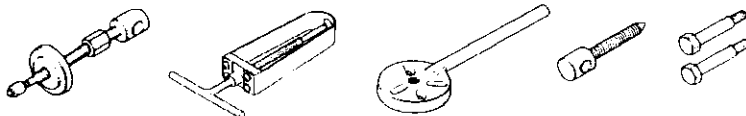


FIG. 1 ENGINE

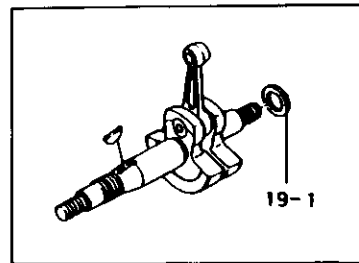
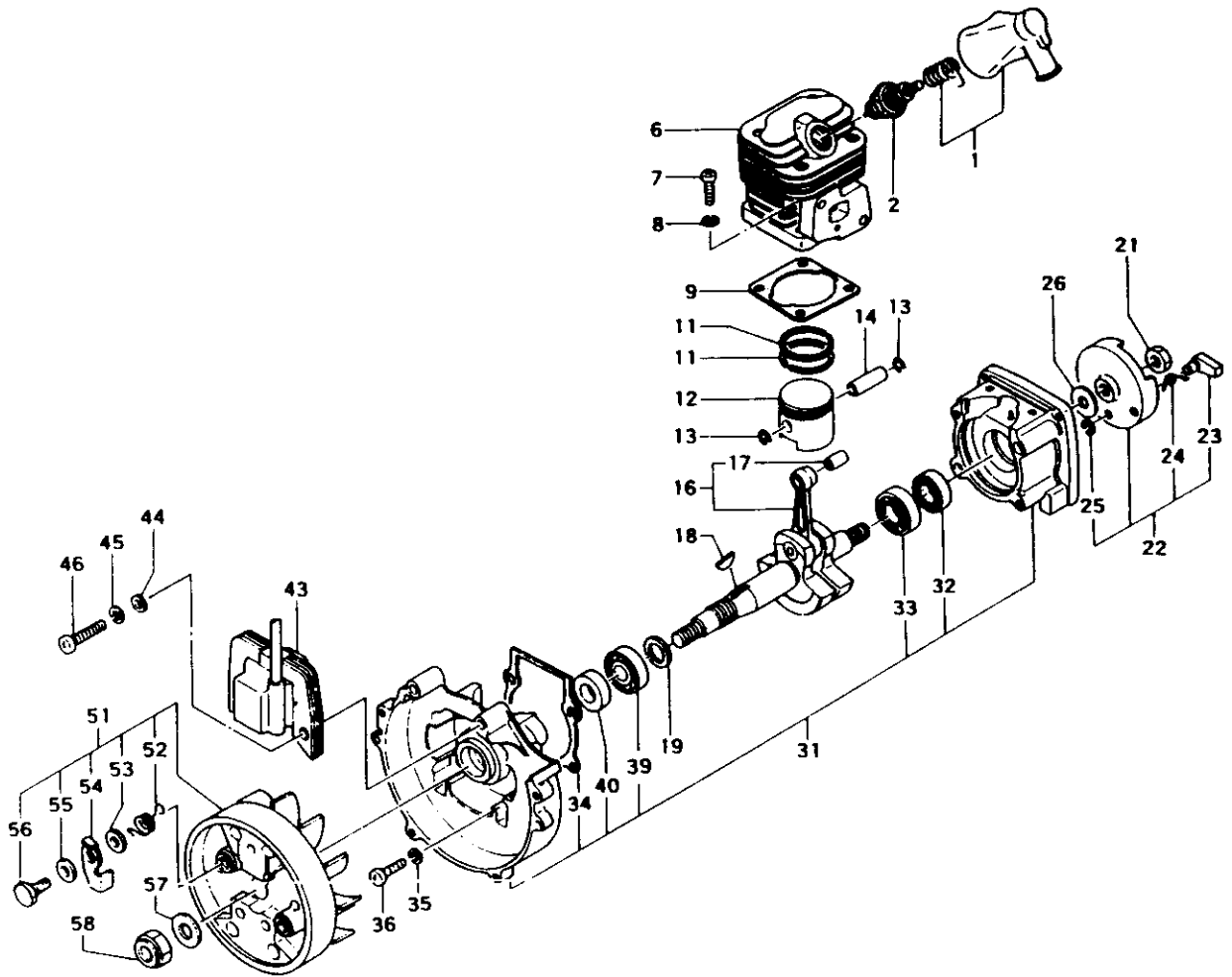


FIGURE 1

AST-7000 PARTS LISTING

REF.	PART NO.	PART DESCRIPTION	Q	C	S	SERIAL NO	REMARKS
1	157-0097A-900	CAP, SPARK PLUG, ASS'Y	1		B		
2	018-11660-21	PLUG, SPARK	1		B		
6	002-0631P-20	CYLINDER	1		C		
7	990-11050-181	SCREW, 5X18	4		B		
8	992-10050-012	WASHER, S, 5	4		A		
9	017-0631A-200	GASKET, CYLINDER	1		B		
11	041-00601-210	RING, PISTON	2		A		
12	031-00601-202	PISTON	1		B		
13	039-01620-200	CIRCLIP, PISTON PIN	2		A		
14	037-00601-200	PIN, PISTON	1		C		
16	046-0631P-800	CRANKSHAFT	1		D		
17	999-62081-225	BEARING, NEEDLE, F-810	1		C		
18	068-10100-200	KEY, WOODRUFF, 3X13X4.5	1		C		
19	071-02007-200	SHIM, 15.2X20X.05	V		D	G059235~	
19-1	330-00200-210	SHIM, 12.2X19X.10	V		D	~G059234	
19	071-02007-210	SHIM, 15.2X20X.10	V		D	G059235~	Shims are "as needed" to obtain correct c/s side clearance.
19-1	330-00200-220	SHIM, 12.2X19X.15	V		D	~G059234	
19	071-02007-220	SHIM, 15.2X20X.15	V		D	G059235~	
19-1	330-00200-230	SHIM, 12.2X19X.20	V		D	~G059234	
19	071-11600-230	SHIM, 16X21X.20	V		D	G059235~	
19-1	330-00200-240	SHIM, 12.2X19X.30	V		D	G059235~	
21	991-01080-011	NUT, 8	1		B		
22	798-06500-900	PULLEY, STARTER, ASS'Y	1		C		
23	788-06097-200	PAWL, STARTER	1		C		
24	790-06097-200	SPRING, STARTER PAWL	1		C		
25	993-55005-000	RING, STOP, 5	1		C		
26	359-10112-203	WASHER, CLUTCH B	1		A		
31	072-0631P-900	CRANKCASE, ASS'Y	1		D		Includes bearings, seals & gasket
32	999-66122-240	SEAL, OIL, #12227	1		A		
33	999-61600-100	BEARING, BALL, #6001	1		B		
34	090-06097-200	GASKET, CRANKCASE	1		C		
35	992-10050-012	WASHER, S, 5	4		A		
36	990-11050-251	SCREW, 5X25	4		D		
39	999-61600-200	BEARING, BALL, #6002	1		B		
40	999-66152-511	SEAL, OIL, #VE15X25X7	1		A		
43	167-20508-800	COIL, IGNITION	1		B		
44	992-00050-011	WASHER, SMALL, 5	2		C		
45	992-10050-012	WASHER, S, 5	2		A		
46	990-11050-201	SCREW, MX20	1		D		

* Indicates the part is included in a kit or assembly and is not available individually. Q=Quan. used
 C=Interchangeability S=Stocking code: A-Fast moving B=Med. fast C=Med. move D=Slow move
 E=N.L.A. F=Superseded or replaced by a new part

FIGURE 1 cont.**AST-7000 PARTS LISTING**

REF.	PART NO.	PART DESCRIPTION	Q	C	S	SERIAL NO.	REMARKS
51	155-20510-900	ROTOR,MAGNETO ASS'Y	1		D		
52	790-06100-210	SPRING,STARTER PAWL	2		C	~G091400	
52	790-0631P-200	SPRING,STARTER PAWL	2		D	G091401~	
53	786-00601-200	WASHER,RECOIL STARTER	2		D		
54	788-0631P-200	PAWL,STARTER	2		D		
55	822-00601-200	SHIM,7X11.8X.60	2		C		
56	793-10200-202	BOLT,STEP	2		C		
57	992-00120-011	WASHER,12	1		D		
58	066-0631P-200	NUT,FLYWHEEL	1		D		

* Indicates the part is included in a kit or assembly and is not available individually. Q=Quan. used
C=Interchangeability S=Stocking code: A=Fast moving B=Med. fast C=Med. move D=Slow move
E=N.L.A. F=Superceded or replaced by a new part

FIG.2 ENGINE COMPONENTS

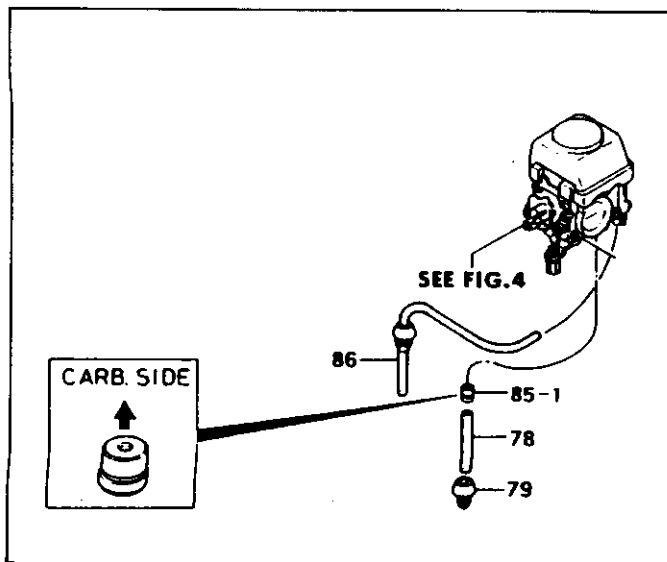
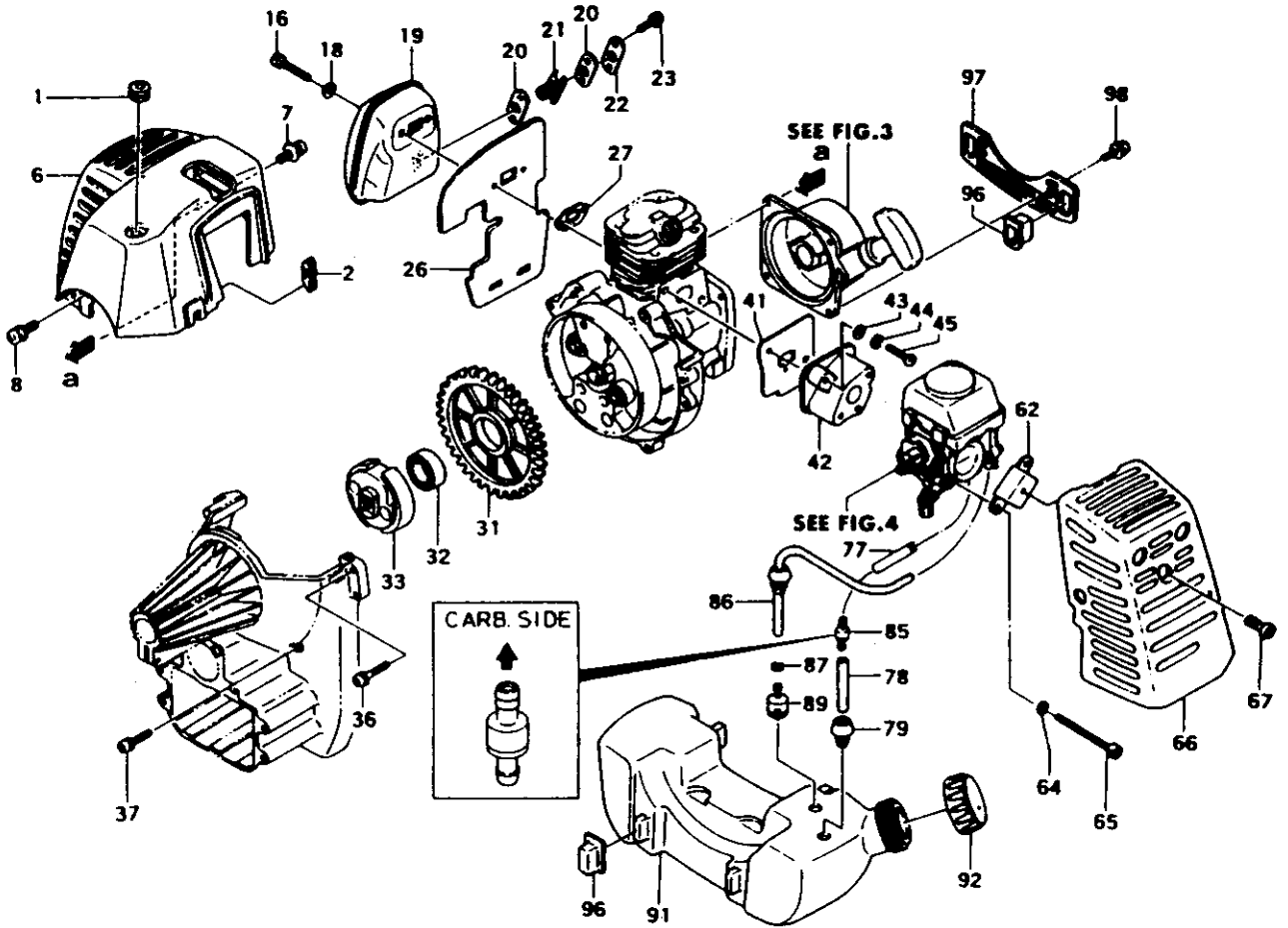


FIGURE 2

AST-7000 PARTS LISTING

REF.	PART NO.	PART DESCRIPTION	Q	C	S	SERIAL NO.	REMARKS
1	202-01003-201	GROMMET,SECONDARY CORD	1		C		
2	203-0631A-200	GROMMET	1		D		
6	738-0631A-201	PROTECTOR,MUFFLER	1		C		
7	994-15040-222	SCREW,PS,4X22	2		A		
8	994-15040-122	SCREW,4X12/PS	2		C		
16	990-51050-503	BOLT,HEX,5X50	2		C		
18	992-01050-011	WASHER,5	2		A		
19	706-0631A-801	MUFFLER	1		D		
20	751-04200-201	GASKET,MUFFLER	2		C		
21	732-0631A-200	ARRESTER,SPARK	1		C		
22	734-0631A-20	PIPE,TAIL	1		D		
23	994-14040-081	SCREW,4X8	2		D		
26	133-0631A-201	SHIELD,HEAT	1		B		
27	737-06100-21	GASKET,MUFFLER	1		B		
31	774-0631P-801	PULLEY,STARTER	1		C		
32	999-61600-001	BEARING,BALL,#6000ZZ	1		B		
33	277-0631P-900	CLUTCH,ASS'Y	1		C		
36	994-14050-202	SCREW,5X20/S	1		C		
37	994-14050-402	SCREW,5X40/S	3		C		
41	403-0631A-202	GASKET,INLET MANIFOLD	1		A		
42	404-0631P-800	INSULATOR,CARBURETOR	1		D		
43	992-01050-011	WASHER,5	2		A		
44	992-10050-012	WASHER,S,5	2		A		
45	990-11050-221	SCREW,5X22	2		B		
62	476-0631P-200	BOARD,BLOW OVER CHECK	1		D		
64	992-10040-012	WASHER,S,4	2		D		
65	990-11040-551	SCREW,4X55	2		D		
66	452-0631P-200	COVER,CLEANER	1		C		
67	380-0631A-200	BOLT,CLEANER COVER	1		B		
77	700-03005-030	PIPE,FUEL,3X5X30	1		D	G059235~	
78	700-03005-100	PIPE,FUEL,3X5X100	1		C	G059235~	
79	222-06300-200	GROMMET,FUEL PIPE	1		B		
85-1	586-25108-900	VALVE,CHECK,ASS'Y	1		D	~G059234	
85	586-25108-901	VALVE,CHECK,ASS'Y	1		C	G059235~	
86	223-0162V-900	PIPE,FUEL,ASS'Y	1		A		
87	680-00731-201	CLIP 6.3	1		B		
89	675-04042-80	FILTER,FUEL	1		A		
91	591-0633R-21	TANK,FUEL	1		A		
92	595-0650A-90	CAP,TANK	1		A		

* Indicates the part is included in a kit or assembly and is not available individually. Q=Quan. used
 C=Interchangeability S=Stocking code: A=Fast moving B=Med. fast C=Med. move D=Slow move
 E=N.L.A. F=Superceded or replaced by a new part

FIGURE 2 cont.**AST-7000 PARTS LISTING**

REF.	PART NO.	PART DESCRIPTION	Q	C	S	SERIAL NO	REMARKS
96	655-00940-201	CUSHION,FUEL TANK	4		A		
97	653-0631A-200	BRACKET,TANK	1		C		
98	994-15040-222	SCREW,PS,4X22	2		A		

* Indicates the part is included in a kit or assembly and is not available individually. Q=Quan. used
C=Interchangeability S=Stocking code: A-Fast moving B=Med. fast C=Med. move D=Slow move
E=N.L.A. F=Superceded or replaced by a new part

FIG.3 RECOIL STARTER

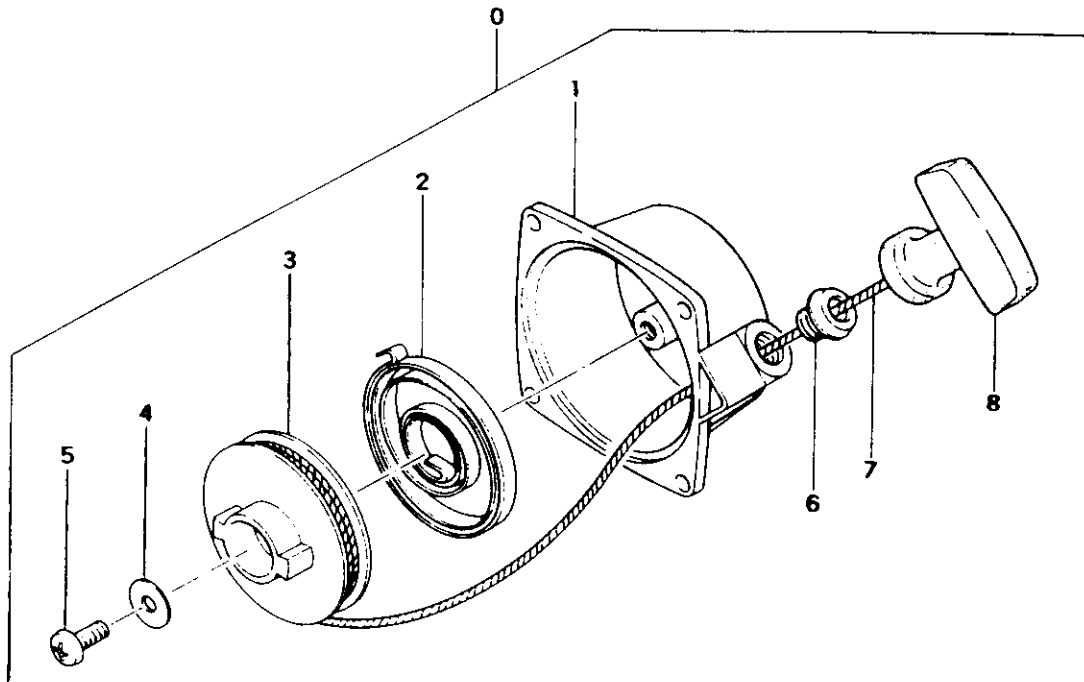


FIGURE 3

AST-7000 PARTS LISTING

REF.	PART NO.	PART DESCRIPTION	Q	C	S	SERIAL NO	REMARKS
0	762-06097-902	STARTER,RECOIL ASS'Y	1		B		
1	772-06097-202	BODY,RECOIL STARTER	1		C		
2	780-06097-200	SPRING,RECOIL	1		A		
3	774-06097-200	PULLEY,STARTER	1		A		
4	801-06091-200	WASHER,ROPE REEL	1		C		
5	990-15050-121	SCREW,5X12	1		D		
6	782-06097-200	RECEIVER,ROPE	1		D		
7	783-06097-200	ROPE,STARTER	1		C		
8	785-06097-200	HANDLE,STARTER	1		C		

FIG.4 CARBURETOR

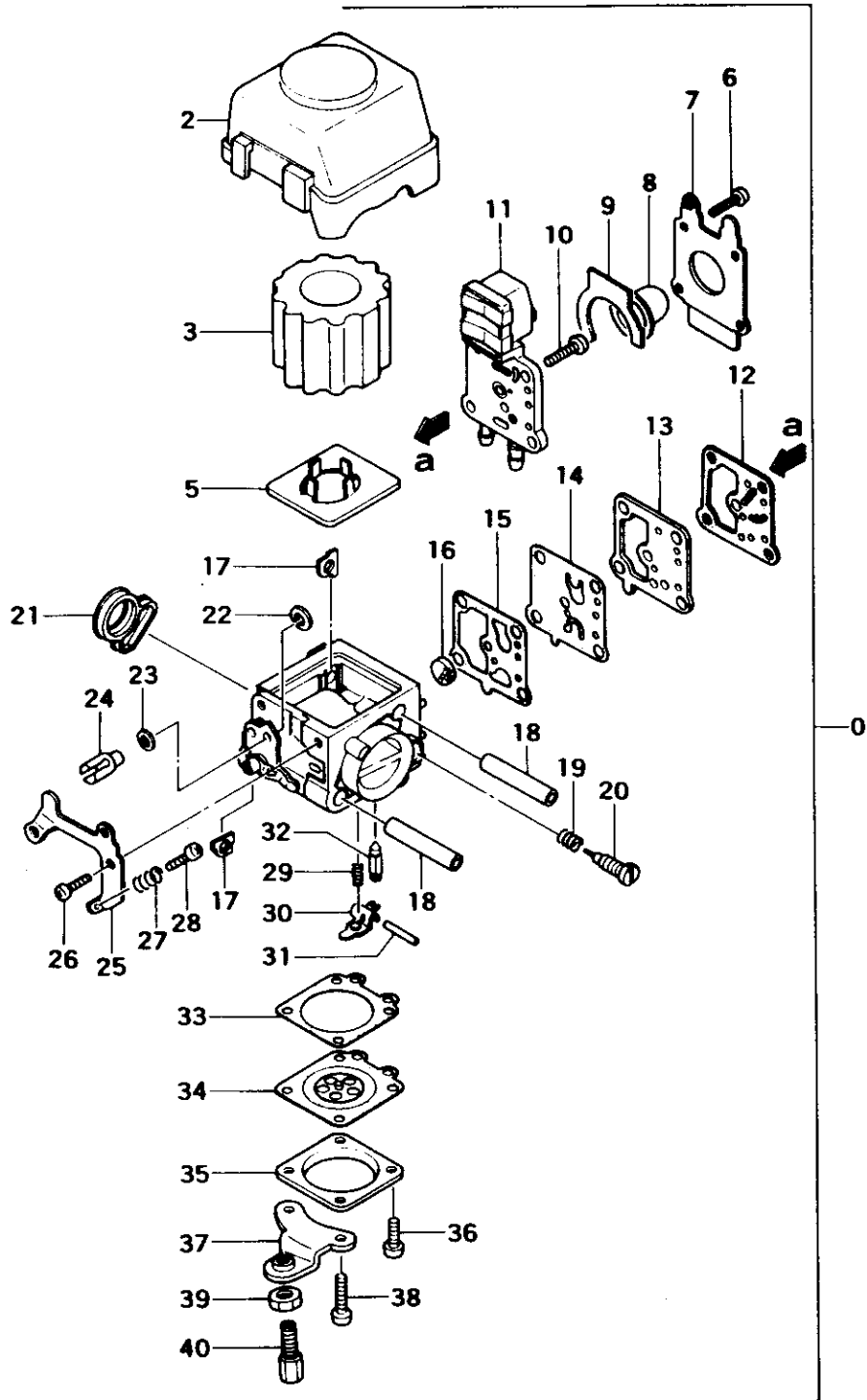


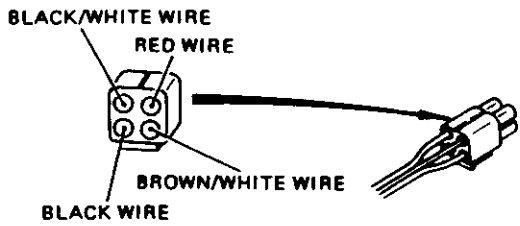
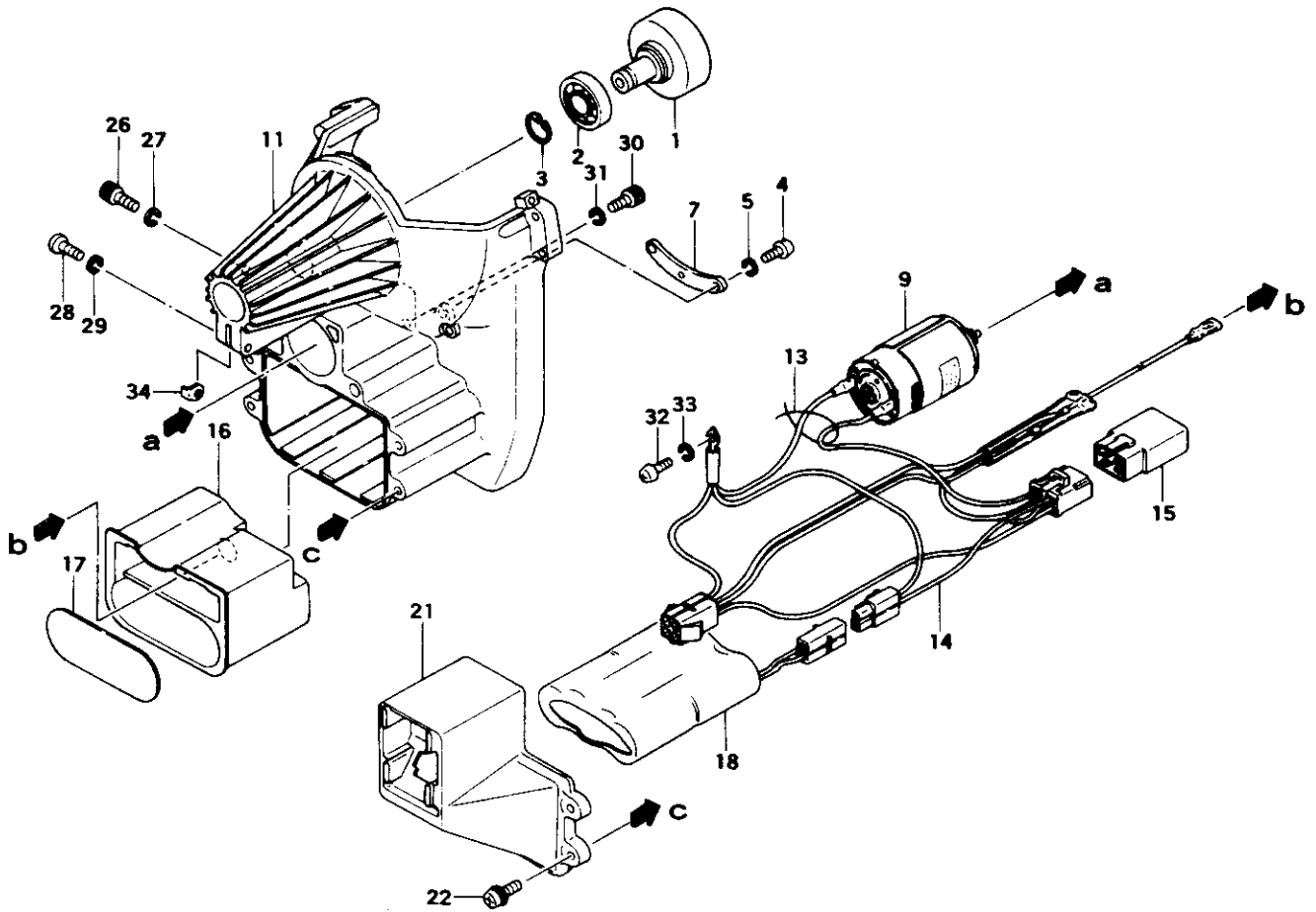
FIGURE 4

AST-7000 PARTS LISTING

REF.	PART NO.	PART DESCRIPTION	Q	C	S	SERIAL NO.	REMARKS
0	455-25108-900	CARBURETOR,ASS'Y	1		C		
2	424-0631P-200	CAP,CLEANER	1		D		
3	421-0631P-200	ELEMENT,CLEANER	1		B		
5	425-0631P-200	BASE,CLEANER	1		D		
6	548-25108-200	SCREW,SET	4		D		
7	452-25108-200	COVER,PRIMING PUMP	1		D		
8	447-25108-200	BULB,PRIMING	1		A		* Contained in Carb. Repair Kit
9	----	*GASKET,OVER FLOW	1		D		650-25108-910
10	548-25108-200	SCREW,SET	1		D		(Not available individually)
11	575-25108-800	BODY,PUMP	1		C		
12	----	*GASKET,PUMP PLATE	1		D		
13	523-25108-200	PLATE,PUMP	1		D		
14	576-25108-200	DIAPHRAGM,PUMP	1		C		
15	----	*GASKET,PUMP DIAPHRAGM	1		C		
16	----	*SCREEN,INLET	1		C		
17	636-25108-200	PLATE,SLEEVE	2		D		
18	437-25108-200	SLEEVE	2		D		
19	485-25108-200	SPRING,ADJUST,HIGH	1		D		
20	460-25108-200	SCREW,HIGH ADJUST	1		D		
21	449-0631P-200	GASKET,CARBURETOR	1		D		
22	489-25100-200	RING,STOP	1		D		
23	549-25100-200	WASHER,THRUST	1		D		
24	539-25101-200	SWIVEL	1		D		
25	544-25108-200	STAY,ADJUSTER	1		D		
26	514-25108-200	SCREW,SET	2		D		
27	463-25100-200	SPRING,IDLE ADJUST	1		D		
28	462-25100-20	SCREW,IDLE ADJUST	1		D		
29	477-25013-200	SPRING,VALVE	1		D		
30	473-25001-200	HINGE,VALVE	1		C		
31	605-25001-200	PIN,HINGE	1		D		
32	603-25012-200	VALVE,NEEDLE	1		C		
33	----	*GASKET,DIAPHRAGM	1		A		
34	----	*DIAPHRAGM,METERING	1		A		
35	476-25004-200	COVER,DIAPHRAGM	1		D		
36	514-25105-200	SCREW,SET	2		D		
37	614-25108-200	STAY,CABLE ADJUSTER	1		D		
38	514-25108-200	SCREW,SET	2		D		
39	991-01060-013	NUT,6	1		B		
40	894-01401-201	RECEIVER,OUTER	1		B		

* Indicates the part is included in a kit or assembly and is not available individually. Q=Quan. used
 C=Interchangeability S=Stocking code: A=Fast moving B=Med. fast C=Med. move D=Slow move
 E=N.L.A. F=Superseded or replaced by a new part

FIG.5 CLUTCH CASE



WARNING : Incorrect wiring can cause serious damage to electrical components.

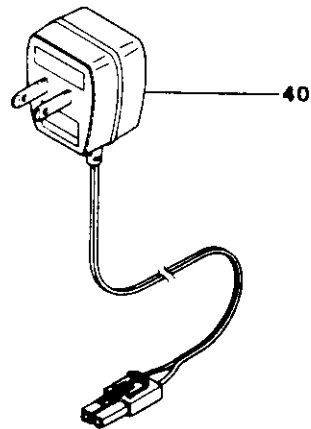


FIGURE 5**AST-7000 PARTS LISTING**

REF.	PART NO.	PART DESCRIPTION	Q	C	S	SERIAL NO	REMARKS
1	289-0631P-801	DRUM,CLUTCH	1		C		
2	999-61620-101	BEARING,BALL #6201ZZ	1		C		
3	993-50012-002	RING,STOP,C-12 EX	1		A		
4	990-11040-101	SCREW,4X10	2		A		
5	992-10040-012	WASHER,S,4	2		D		
7	670-37600-201	RECEIVER,SHAFT	1		D		
9	306-0631P-801	MOTOR	1		B		
11	112-0631P-200	CASE,FAN	1		C		
13	266-37600-200	CLAMP,WIRE	1		D		
14	655-37600-800	WIRE,LEAD	1		D		
15	667-37600-800	RELAY	1		D		
16	152-0631P-200	CASE,BATTERY	1		D		
17	599-0631P-200	CUSHION	1		D		
18	BP-7000	BATTERY,ASS'Y,AST-7000	1		C		
21	136-0631P-201	COVER,FAN CASE	1		D		
22	994-15050-182	SCREW,5X18/PS	4		C		
26	990-51050-103	BOLT,HEX.HOLE,5X10	1		C		
27	992-10050-062	WASHER,S,5	1		D		
28	990-53060-203	BOLT,HEX,6X20	1		C		
29	992-10060-062	WASHER,S,6	1		A		
30	990-51030-103	BOLT,HEX.HOLE 3X10	2		D		
31	992-10030-012	WASHER,S.,3	2		B		
32	990-11040-081	SCREW,4X8	1		C		
33	992-10040-012	WASHER,S,4	1		D		
34	249-0630G-201	SPACER	1		D		
40	BC-7000	CHARGER,BATTERY	1		B		

* Indicates the part is included in a kit or assembly and is not available individually. Q=Quan. used
C=Interchangeability S=Stocking code: A-Fast moving B=Med. fast C=Med. move D=Slow move
E=N.L.A. F=Superceded or replaced by a new part

FIG.6 HANDLE

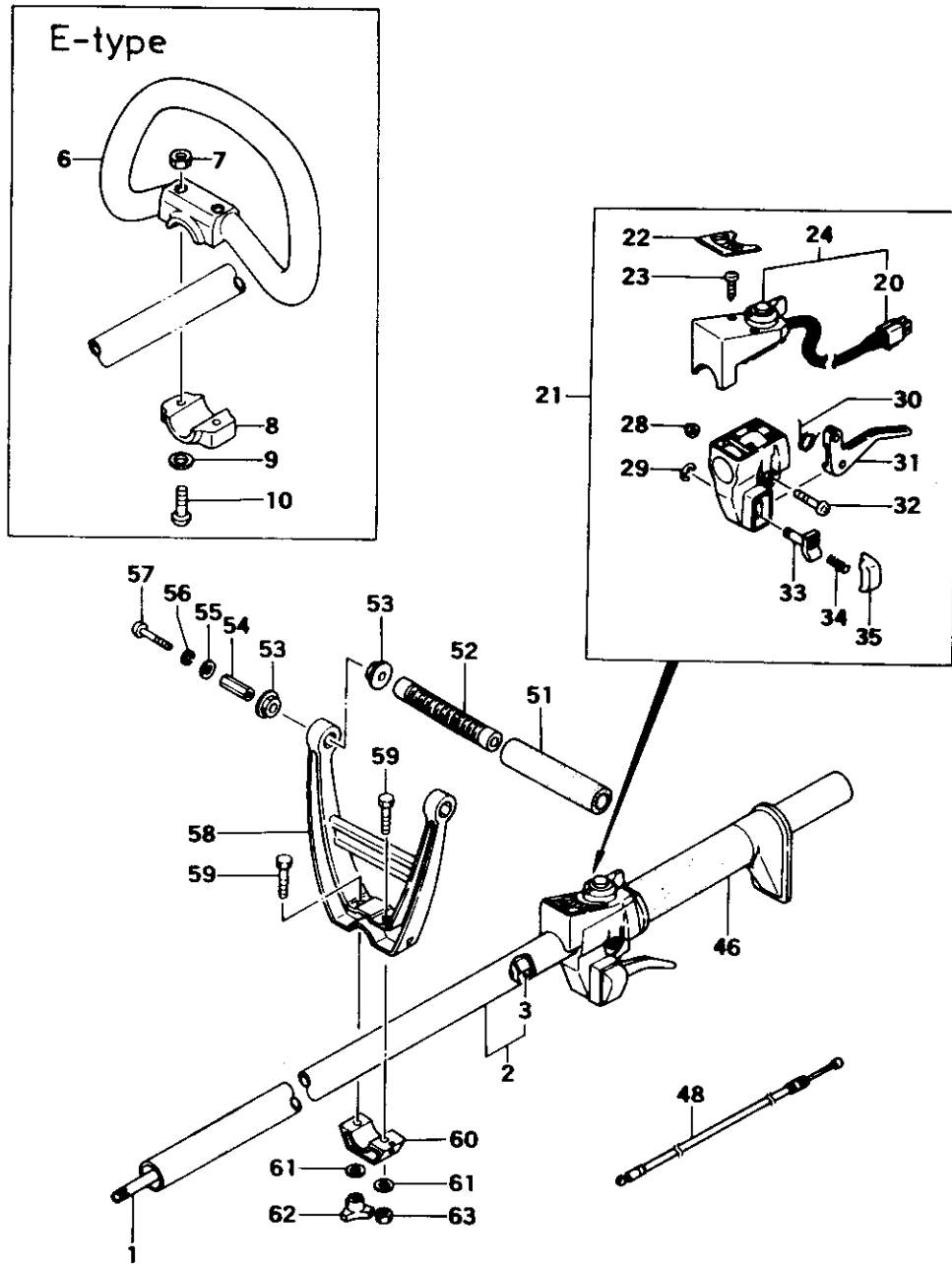


FIGURE 6

AST-7000 PARTS LISTING

REF.	PART NO.	PART DESCRIPTION	Q	C	S	SERIAL NO.	REMARKS
1	343-37300-200	SHAFT,DRIVE	1		A		
2	341-37601-81	PIPE,DRIVE SHAFT	1		B		
3	347-37601-900	BUSHING,ASS'Y	5		C		
6	500-37300-200	HANDLE,D	1		C		
7	991-01060-041	NUT,6	2		D		
8	506-37300-200	BRACKET,HANDLE,A	1		C		
9	992-01060-061	WASHER,6	2		D		
10	990-53060-403	BOLT,HEX,6X40	2		C		
20	656-37600-200	CONNECTOR,MALE,4P	1		D		
21	870-37600-900	LEVER,THROTTLE ASS'Y	1		C		
22	169-37602-200	DECAL,OFF/ON	1		D		
23	993-42030-181	SCREW,TAPPING,3X18	2		D		
24	156-37600-91	BUTTON,START	1		D		
28	991-86050-000	NUT,LOCK,5	1		D		
29	993-55060-001	RING,STOP,6	1		D		
30	832-37101-200	SPRING,RETURN	1		C		
31	880-37101-200	LEVER,THROTTLE	1		B		
32	994-31050-251	SCREW,S.,5X25	1		C		
33	853-37101-200	SHAFT,LOCK BUTTON	1		D		
34	958-37101-200	SPRING,LOCK,BUTTON	1		D		
35	956-37101-200	BUTTON,LOCK	1		D		
46	504-37600-200	GRIP,SHAFT	1		D		
48	885-0608B-801	WIRE,THROTTLE	1		D		
51	503-37400-200	GRIP,HANDLE	1		B		
52	490-37400-800	HANDLE,INNER	1		C		
53	319-37400-200	CUSHION	4		C		
54	513-37400-200	HOLDER,HANDLE	2		C		
55	761-37400-200	WASHER,A 2.3	2		C		
56	992-10060-062	WASHER,S,6	2		A		
57	990-11060-554	SCREW,6X55	2		C		
58	500-37600-200	HANDLE	1		D		
59	990-21060-504	BOLT,6X50	2		C		
60	506-37600-200	BRACKET,HANDLE,A	1		D		
61	359-02103-200	WASHER,CLUTCH,B	2		B		
62	512-33700-800	KNOB,HANDLE	1		C		
63	991-01060-041	NUT,6	1		D		

* Indicates the part is included in a kit or assembly and is not available individually. Q=Quan. used C=Interchangeability S=Stocking code: A=Fast moving B=Med. fast C=Med. move D=Slow move E=N.L.A. F=Superseded or replaced by a new part

FIG.7 GEAR CASE

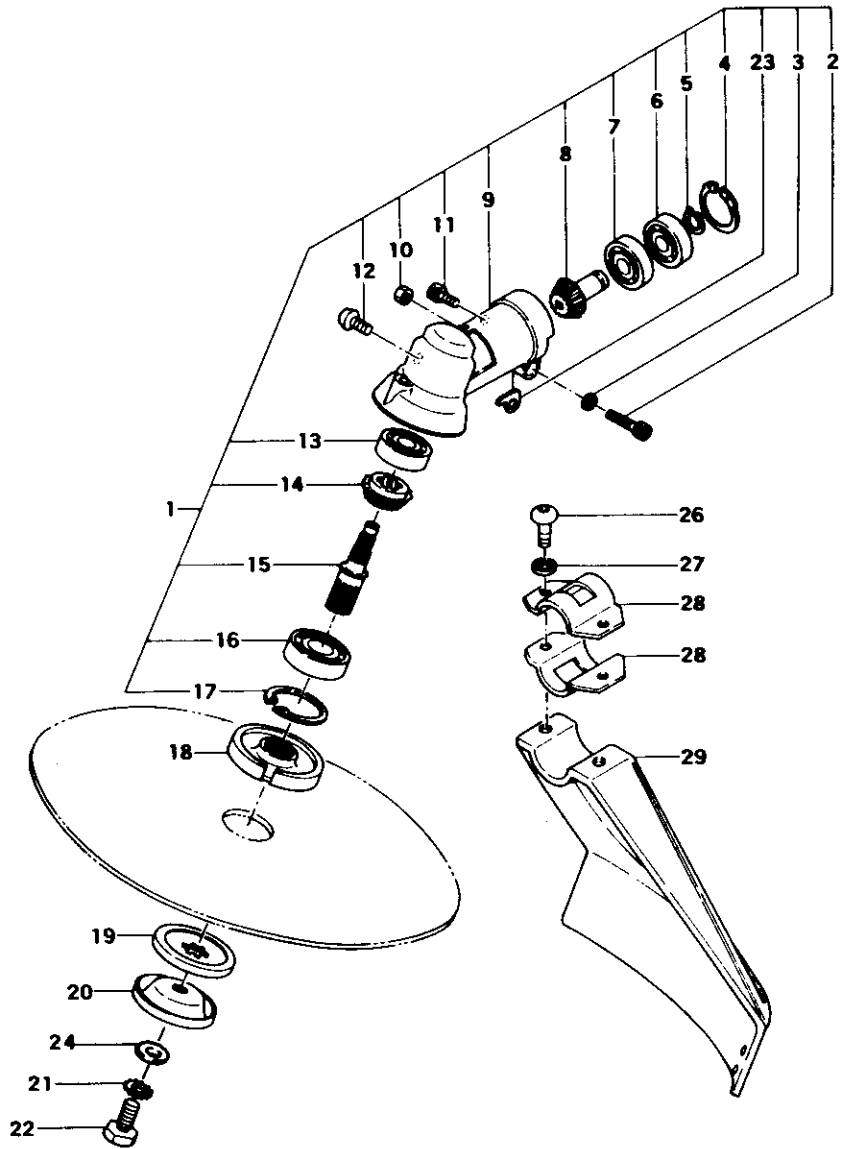


FIGURE 7

AST-7000 PARTS LISTING

REF.	PART NO.	PART DESCRIPTION	Q	C	S	SERIAL NO.	REMARKS
1	300-37300-900	CASE,GEAR,ASS'Y	1		B		
2	990-51050-253	BOLT,HEX,5X25	1		B		
3	992-10050-062	WASHER,S,5	1		D		
4	993-53022-002	RING,STOP,R22 IN	1		C		
5	993-50010-002	RING,STOP,C-10 EX	1		C		
6	999-61690-003	BEARING,BALL,#6900D	1		B		
7	999-61690-000	BEARING,BALL,#6900	1		B		
8	302-37300-200	USE SET #3013730001	1		E		
9	300-37300-201	CASE,GEAR	1		C		
10	991-01050-041	NUT,5	1		C		
11	990-51050-103	BOLT,HEX.HOLE,5X10	1		C		
12	990-14080-104	SCREW,8X10	1		A		
13	999-61626-000	BEARING,BALL,#626	1		B		
14	301-37300-01	SET,GEAR/PINION	1		A		
15	304-37300-201	SHAFT,GEAR	1		C		
16	999-61600-104	BEARING,BALL,#6001DD	1		B		
17	993-51028-002	RING,STOP,IN,C-28	1		C		
18	310-37300-200	HOLDER,CUTTER	1		B		
19	311-37300-20	CAP, CUTTER HOLDER	1		C		
20	316-33410-200	PROTECTOR,BOLT	1		A		
21	992-29080-000	WASHER,TOOTHED LOCK,8	1		B		
22	312-37623-200	BOLT,FIXING,W/WASHERS	1		A		
23	324-37350-20	WASHER,GEAR CASE	1		D		
24	992-01080-011	WASHER,8	1		A		
26	990-53060-153	BOLT,HEX,6X15	2		B		
27	992-10060-062	WASHER,S,6	2		A		
28	442-33905-201	BRACKET,SAFETY GUARD	2		B		
29	441-33905-800	GUARD,SAFETY	1		A		

* Indicates the part is included in a kit or assembly and is not available individually. Q=Quan. used
 C=Interchangeability S=Stocking code: A=Fast moving B=Med. fast C=Med. move D=Slow move
 E=N.L.A. F=Superseded or replaced by a new part

FIG.8 TOOLS & NYLON HEAD

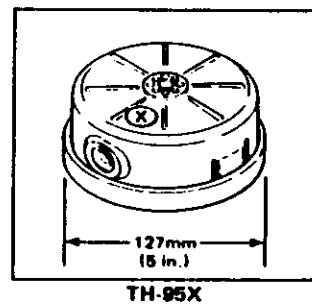
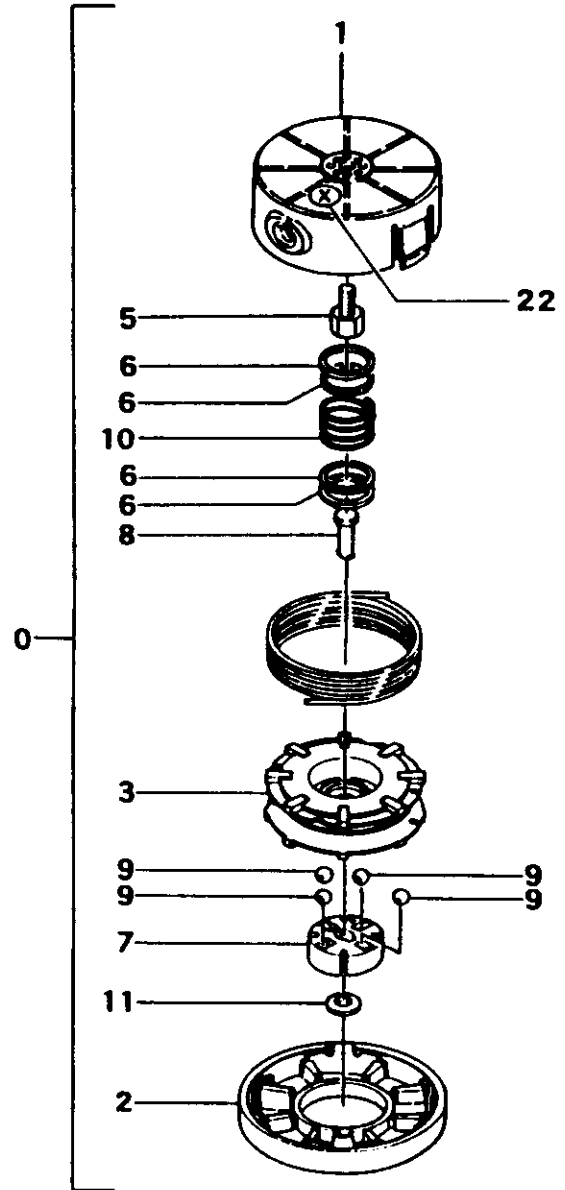
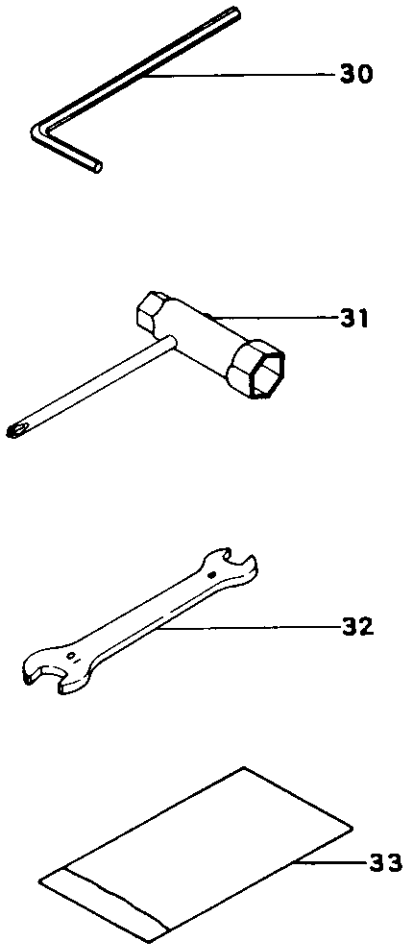


FIGURE 8**AST-7000 PARTS LISTING**

REF.	PART NO.	PART DESCRIPTION	Q	C	S	SERIAL NO	REMARKS
0	783-33910-91	HEAD,AUTO,(TH-95M),1R486	1		A		
1	786-33004-900	BODY,CUTTING,ASS'Y	1		A		
2	789-33004-21	CAP,BODY	1		A		
3	787-33004-202	REEL,(R S M X)	1		A		
5	314-33670-20	BOLT,8X1.25 LH GOLD	1		A		
6	792-33004-200	WASHER,REEL	4		A		
7	790-33004-200	SLIDER,REEL	1		A		
8	791-33004-200	HOOK,REEL SLIDER	1		A		
9	673-35600-20	BALL,STEEL	4		A		
10	793-33440-200	SPRING,REEL,GOLD	1		A		
11	358-02103-200	WASHER,CLUTCH A	1		A		
22	926-33440-200	DECAL	1		D		
30	813-20000-200	WRENCH,HEX,4	1		D		
31	829-20000-80	SPANNER,COMBI,13X19	1		C		
32	801-20000-200	SPANNER,8X10	1		D		
33	948-39907-200	BAG,TOOL	1		D		

* Indicates the part is included in a kit or assembly and is not available individually. Q=Quan. used
C=Interchangeability S=Stocking code: A-Fast moving B=Med. fast C=Med. move D=Slow move
E=N.L.A. F=Superceded or replaced by a new part

FIG.9 MARKS

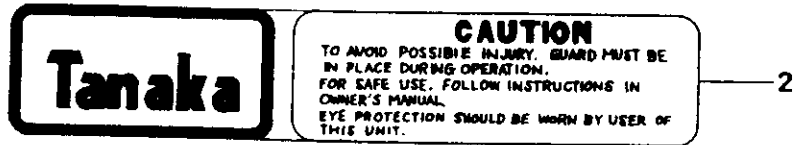
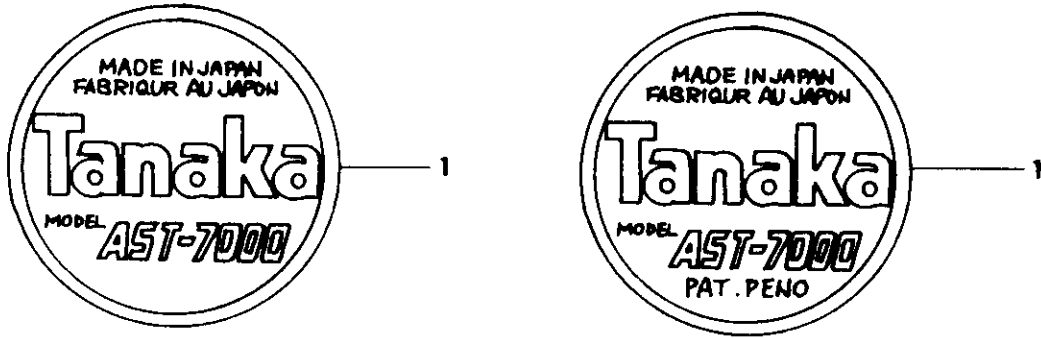


FIGURE 9

AST-7000 PARTS LISTING

REF.	PART NO.	PART DESCRIPTION	Q	C	S	SERIAL NO	REMARKS
1	906-0631P-203	DECAL	1		D		
2	929-33576-201	DECAL,SYMBOL	1		D		
3	929-37600-200	DECAL,AUTO START	1		D		