

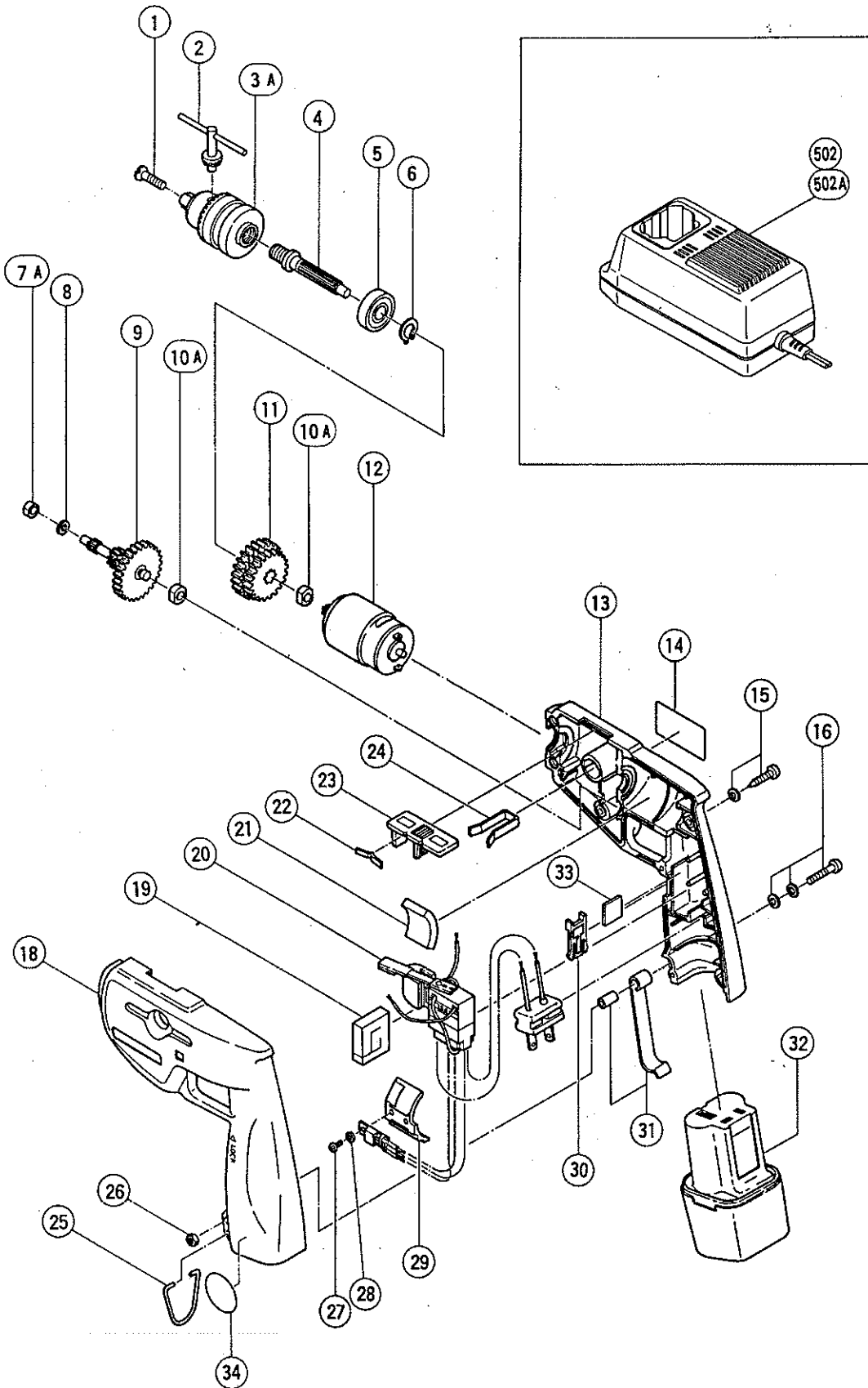
ELECTRIC TOOL PARTS LIST

■ CORDLESS DRIVER DRILL

1989-10-30

Model ABS-10-E

ABS-10-E(E2)



PARTS

ABS-10-E

ITEM NO.	CODE NO.	DESCRIPTION	NO. USED	REMARKS
1	980-836	FLAT HD. SCREW (LEFT HAND) M5X20	1	
1	992-077	FLAT HD. SCREW (LEFT HAND) M5X17	1	
2	980-057	CHUCK WRENCH 10TL2	1	
3A	950-292	DRILL CHUCK 10TLRA	1	INCLUD.2
4	980-843	SPINDLE	1	
5	600-0VV	BALL BEARING 6000VVCMP2S	1	
6	939-540	RETAINING RING FOR D10 SHAFT (10 PCS.)	1	
7A	994-677	METAL D4X6	1	
8	949-423	WASHER M4 (10 PCS.)	1	
9	980-823	SECOND PINION	1	
10A	997-752	METAL	2	
11	981-348	FINAL GEAR	1	
12	992-071	MOTOR	1	
13	985-704	HOUSING (B)	1	
14		NAME PLATE	1	
15	930-446	TAPPING SCREW (W/WASHER) D4X16	5	
16	992-074	MACHINE SCREW (W/WASHERS) M4X25	1	
18	985-703	HOUSING (A)	1	
19	992-078	SEAL	1	
20	992-072	SWITCH (2P PLUG IN TYPE) W/O LOCK	1	
21	980-840	CUSHION (A)	1	
22	980-829	SHIFT SPRING	1	
23	980-828	SHIFT KNOB	1	
24	980-837	KEY HOLDER	1	
25	980-838	HOOK	1	
26	949-554	NUT M4 (10 PCS.)	1	
27	949-201	MACHINE SCREW M3X5 (10 PCS.)	1	
28	949-451	SPRING WASHER M3 (10 PCS.)	1	
29	992-073	FIN	1	
30	980-833	SWITCH LOCK	1	
31	980-581	BATTERY CASE HOLDER	1	
32	985-700	BATTERY	1	
33	992-079	SPACER	1	
34	962-994	MARK PLATE	1	

STANDARD ACCESSORIES

ITEM NO.	CODE NO.	DESCRIPTION	NO. USED	REMARKS
502		CHARGER (MODEL BC-2)	1	TILL REPLACED BY UC 12Y
502A		CHARGER (MODEL UC 12Y)	1	